

Shark **POWERDETECT**

Robotic Vacuum Cleaner

RV2800ZEEU / AV2800ZEEUWH SERIES

INSTRUCTIONS

ANVISNINGER

BEDIENUNGSANLEITUNG

MANUAL DE INSTRUCCIONES

OHJEET

NOTICE D'UTILISATION ET
GARANTIE COMMERCIALE

ISTRUZIONI

INSTRUCTIES

INSTRUKSJONER

INSTRUÇÕES

INSTRUKTIONER

SHARKCLEAN APP



Illustrations may differ from actual product. We are constantly striving to improve our products, therefore the specifications contained herein are subject to change without notice.

 sharkclean.eu



IMPORTANT SAFETY INSTRUCTIONS

PLEASE READ CAREFULLY BEFORE USE • FOR HOUSEHOLD USE ONLY

⚠ WARNING

To reduce the risk of fire, electric shock, injury, or property damage:

CHILDREN OR ANIMALS SHOULD NOT BE LEFT UNATTENDED IN ANY ROOMS THAT THE ROBOTIC VACUUM HAS ACCESS TO DURING CLEANING.

LASER WARNING

THIS PRODUCT HAS A CLASS 1 LASER. ALWAYS TURN OFF THE POWER BEFORE LIFTING THE ROBOTIC VACUUM CLEANER OR PERFORMING ANY MAINTENANCE ON IT. DO NOT LOOK DIRECTLY INTO LASER.

IF THE CHARGING CABLE PLUG DOES NOT FIT FULLY INTO THE SOCKET, CONTACT A QUALIFIED ELECTRICIAN. DO NOT FORCE INTO SOCKET OR TRY TO MODIFY TO FIT.


GENERAL WARNINGS

When using an electrical appliance, basic precautions should always be followed, including the following:

1. This appliance consists of a Robot Floor Cleaner vacuum and charging dock with power supply. These components contain electrical connections, electrical wiring, and moving parts that potentially present risk to the user.
2. Before each use, carefully inspect all parts for any damage. If a part is damaged, discontinue use.
3. Use only identical replacement parts.
4. This Robot Floor Cleaner contains no serviceable parts.
5. Use only as described in this manual. DO NOT use Robot Floor Cleaner for any purpose other than those described in this manual.
6. With the exception of some filters and dust bin, DO NOT expose any parts of the robotic vacuum cleaner to water or other liquids.
7. **DO NOT put hands into any opening in the dock or robot.**

USE WARNINGS

8. This product has a Class 1 Laser. Always turn off the power before lifting the robotic vacuum cleaner or performing any maintenance on it.
9. **DO NOT** look directly into laser.
10. Always turn off the robotic vacuum cleaner before inserting or removing the filter or dustbin.
11. **DO NOT** handle plug, charging dock, charging cable or Robot Floor Cleaner with wet hands. Cleaning and user maintenance must not be done by children without supervision
12. Children should **NOT** play with the appliance.
13. This appliance can be used by children aged from 8 years and above and persons with reduced physical, sensory, or mental capabilities or lack of experience and knowledge if they have been given supervision or instruction concerning use of the appliance in a safe way and understand the hazards involved.
14. **DO NOT** use the robot without the dustbin, filter in place.
15. **DO NOT** damage the charging cord:
 - a) **DO NOT** pull or carry charging dock by the cord or use the cord as a handle.
 - b) **DO NOT** unplug by pulling on cord. Grasp the plug, not the cord.
 - c) **DO NOT** close a door on the cord, pull the cord around sharp corners, or leave the cord near heated surfaces.
 - d) The supply cord cannot be replaced. If the cord is damaged the appliance should be scrapped.
16. **DO NOT** put any objects into nozzle or accessory openings. **DO NOT** use with any opening blocked; keep free of dust, lint, hair, and anything that may reduce airflow.
17. **DO NOT** use if Robot Floor Cleaner airflow is restricted. If the air paths become blocked, turn the vacuum cleaner off and remove all obstructions before turning on the unit again.
18. Keep nozzle and all vacuum openings away from hair, face, fingers, uncovered feet, or loose clothing.
19. **DO NOT** use if Robot Floor Cleaner is not working as it should, or has been dropped, damaged, left outdoors, or dropped into water.
20. **DO NOT** place vacuum cleaner on unstable surfaces.
21. **DO NOT** use to pick up:
 - a) Liquids.
 - b) Large objects.
 - c) Hard or sharp objects (glass, nails, screws, or coins).
 - d) Large quantities of dust (drywall dust, fireplace ash, or embers.)
 - e) DO NOT use as an attachment to power tools for dust collection.
 - f) Smoking or burning objects (hot coals, cigarette butts, or matches).
 - g) Flammable or combustible materials (lighter fluid, petrol, or kerosene).
 - h) Toxic materials (chlorine bleach, ammonia, or drain cleaner).
 - i) Toxic materials (high concentrations of chlorine bleach liquid, high concentrations of ammonia, or drain cleaning solution).

- 22. DO NOT** use in the following areas:
- Wet or damp surfaces
 - Outdoor areas near fireplaces with unobstructed entrances
 - Spaces that are enclosed and may contain explosive or toxic fumes or vapors (lighter fluid, petrol, kerosene, paint, paint thinners, mothproofing substances, or flammable dust)
 - In an area with a space heater
 - Near fireplaces with unobstructed entrances.
- 23.** Turn off the Robot Floor Cleaner before any adjustment, cleaning, maintenance or troubleshooting. Note: in the OFF (O) position, the robot still uses a small amount of power.
- 24.** Allow all filters to air-dry completely before reinstalling them to prevent liquid from being drawn into electric parts.
- 25. DO NOT** modify or attempt to repair the robotic vacuum cleaner or the battery yourself, except as indicated in this Owner's Guide. **DO NOT** use the vacuum if it has been modified or damaged.
- 26.**  Keep fingers clear of wheels and suspension system while robot is powered on at all times.
- 27. DO NOT** use any household cleaners (all-purpose cleaners, glass cleaners, bleach) on any of the polished high gloss surfaces on the docking station or robot vacuum cleaner as they contain chemicals that may damage these surfaces. Instead use a cloth dampened with water to gently clean.
- 28.** To minimise the risk of the robot traveling beyond an unsafe boundary (stair or cliff edges, fireplaces, water hazards), establish these areas as no-go zones using the mapping feature in the SharkClean mobile app. Upon setting the boundary, run the vacuum and visually confirm that the settings effectively prevent the robot from passing beyond the set boundary. Adjust settings as necessary. For nonapp users, use a boundary to block off an unsafe boundary.

BATTERY USE

- 29.** The battery is the power source for the vacuum. Carefully read and follow all charging instructions.
- 30.** To prevent unintentional starting, ensure the vacuum is powered off before picking it up or carrying it.
- 31.** Use only the SHARK charging dock and battery outlined in the table below, and use only battery RVBAT85002 (33V) RVBAT850 (MH1), or RVBAT850 (26V). Use of batteries or battery chargers other than those indicated may create a risk of fire.
- 32.** Keep the battery away from all metal objects such as paper clips, coins, keys, nails, or screws. Shorting the battery terminals together increases the risk of fire or burns.
- 33.** Under abusive conditions, liquids may be ejected from the battery. Avoid contact with this liquid, as it may cause irritation or burns. If contact occurs, flush with water. If liquid contacts eyes, seek medical help.
- 34.** Robotic vacuum cleaner should not be stored, charged, or used at temperatures below 10°C (50°F) or above 40°C (104°F). Ensure the battery and vacuum have reached room temperature before charging or use. Exposing the robot or battery to temperatures outside of this range may damage the battery and increase the risk of fire.
- 35. DO NOT** expose the Robot Floor Cleaner or battery to fire or temperatures above 130°C (265°F) as it may cause explosion.

Unit	Battery
SKU	RVBAT85002 (33V) RVBAT850 (MH1), or RVBAT850 (26V).

Unit	Dock
SKU	XDRV2800WDEU XDCK2800WDEU

SAVE THESE INSTRUCTIONS

For the latest warnings and cautions, go to www.sharkclean.co.uk/robothelp

Please be sure to read the online Shark® Owner's Guide prior to using your robot.

Shark **POWERDETECT** **QUICK START GUIDE**

DOWNLOAD THE SHARKCLEAN APP



Scan QR code with your
phone's camera to quickly find
and download the app

END-USER LICENSE AGREEMENT FOR SHARKNINJA SOFTWARE

SharkClean.eu/EULA

sharkclean.eu

GETTING THE MOST OUT OF YOUR ROBOT

To get the best experience, download the SharkClean app and follow the tips below.

PREP YOUR HOME



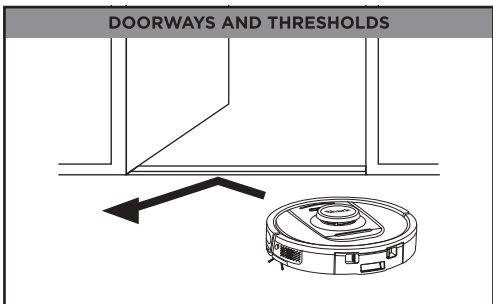
Your Power Detect robot will avoid cords, but for the best coverage and cleaning, remove cords and objects smaller than 11.5 cm in height from floors. To ensure a complete map of your home, open interior doors.

SCHEDULING AND INTERACTIVE MAP



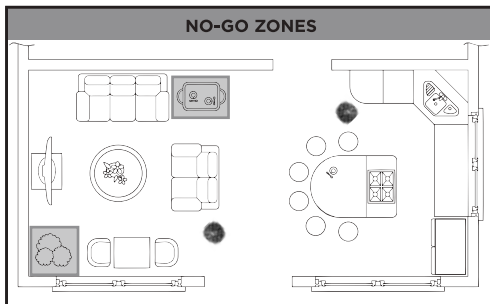
- For a constant state of clean, set up a whole-home cleaning schedule in the app.
- Use the interactive home map for an even more customisable clean.

DOORWAYS AND THRESHOLDS



Your robot can easily climb over most thresholds, but if one is higher than 2.5cm, set up a no-go zone in the app to block it off.

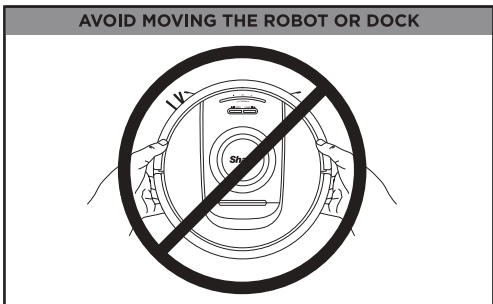
NO-GO ZONES



Create no-go zones in the app to keep your robot out of the areas you would like it to avoid:

- Near power cords or phone chargers.
- In front of high thresholds.

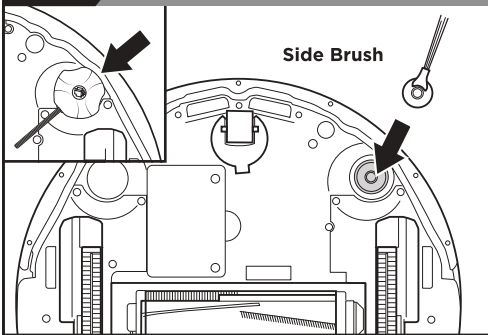
AVOID MOVING THE ROBOT OR DOCK



While your robot is cleaning, do not pick it up and move it, or move the Self-Empty Base—this will impact the robot's ability to map your home.

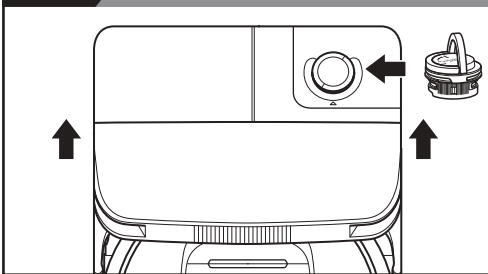
SETUP

STEP 1 PREP THE ROBOT



- Remove protective film from robot and dock.
- Attach side brush.
- Side brush design may vary. Some models include a spare.

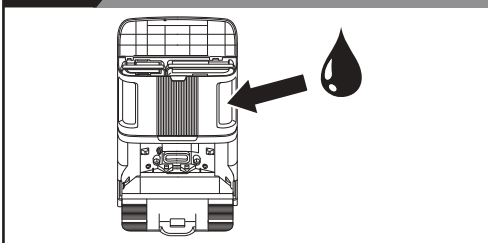
STEP 3 INSTALLING THE ODOUR NEUTRALIZER



1. Insert cartridge assembly into the top of the base.
2. Rotate the cartridge until it clicks into place.

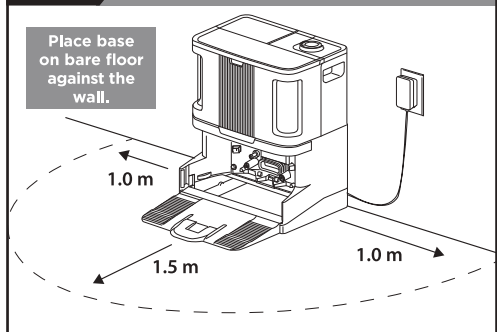
Note: Make sure the odor cartridge assembly is installed in the base before using the robot.

STEP 5 FILL THE CLEAN WATER TANK



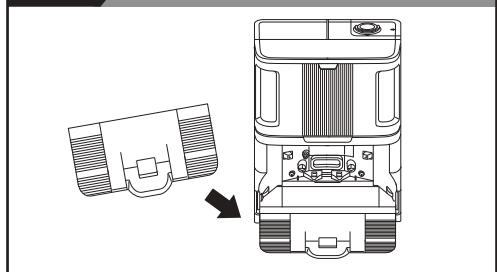
- Lift the lid on the top front half of the base. Remove the clean water tank on the right side.
- Fill the tank with room-temperature water up to the MAX fill line, then reinstall the tank.

STEP 2 SET UP THE SELF-EMPTY BASE



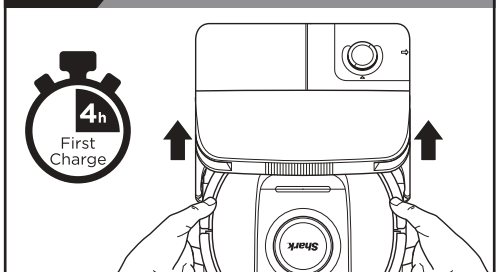
- Find a **permanent** location for the base in a central area with a **strong Wi-Fi signal**.
- Remove any objects that are closer than 1m. from either side of the base, or closer than 1.5m. from the front.
- Plug in the base.
- **Ensure the base is not placed in area with direct sunlight.**

STEP 4 INSTALL RAMP ON BASE



- Align the flat end of the ramp with the base and insert the ramp into the base.
- Lift the ramp slightly above the base, align, and press down until the ramp clicks into place.

STEP 6 CHARGING YOUR ROBOT




- Align the robot with the Shark logo upside down, then slide it up the ramp, onto the base.
- Place robot on base to charge for **4 hours**.
- Make sure the robot is properly aligned on the **base**.
- **TO TURN ON ROBOT:** Place robot on base or press and hold the **DOCK** button for 5 to 7 seconds until the indicator lights turn on. ***charge times may vary**

SETUP

STEP 7 DOWNLOAD THE APP

SharkClean App Features

- ✓ Precision Home Mapping
- ✓ Room Select
- ✓ Spot Cleaning
- ✓ No Go Zones
- ✓ Scheduling
- ✓ Deep Cleaning
- ✓ Maintenance Reminder



Search “SharkClean” in the app store or scan the QR code on the front cover to download the app.

CAN'T CONNECT TO WI-FI?



- Restart your phone**
- Turn off phone, wait a few minutes, then turn it back on and connect to Wi-Fi.
- Reboot your robot**
- Take robot off dock and press and hold down the DOCK button on the robot for 12 seconds. Turn your robot back on by sliding it up the ramp onto the dock.
- Reboot your router**
- Unplug the router power cable for 30 seconds, then plug it back in. Allow several minutes for your router to reboot completely.

Questions? Steps if You're Stuck:
 Having trouble connecting to your robot? For how-to videos, FAQs, troubleshooting, and tips & tricks visit: sharkclean.co.uk.



For full instruction booklet visit: qr.sharkclean.com/RVDetectProEUseries
SCAN HERE USING YOUR SMARTPHONE CAMERA

- To use the app, your phone must be connected to a 2.4 GHz network. The app will not work on a 5 GHz network.
- **DO NOT** use a VPN or a proxy server.
- Make sure Wi-Fi isolation is turned off on the router.

BEFORE YOU CLEAN

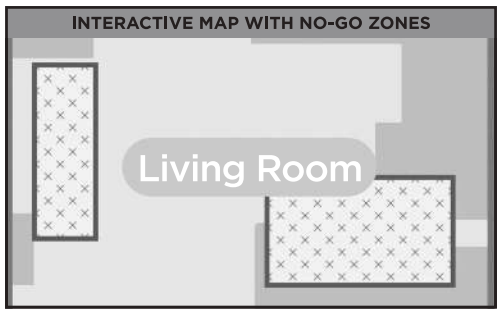
Your robot will need to complete an Explore Run to create a map of your home.

The robot requires $\geq 70\%$ battery to start an explore mission.

In the Explore Run, your robot will wander around your home as it creates a map.

After this run, you can create No-Go Zones in the areas of your home that you want the robot to avoid while cleaning. If you do not want to set up No-Go Zones, you can skip this step.

Now you're ready to clean.




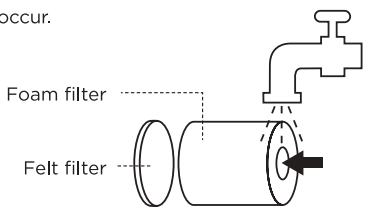
PRE MOTOR FILTER

IMPORTANT - Clean filter every month or loss of suction may occur.

Rinse and let air dry completely. Also, tap loose dirt off filter between washes as needed. The filter must dry for 48 hours before reinstalling.

Foam filters may appear dirty after use—this is normal.

 **DO NOT** put your hands into any opening not defined for user access



TWO (2) YEAR LIMITED GUARANTEE RV2800ZEEU

When a consumer buys a product in Europe, they get the benefit of legal rights relating to the quality of the product (your statutory rights). You can enforce these rights against your retailer. However, at Shark® we are so confident about the quality of our products that we give you an additional manufacturer's guarantee of two years. These terms and conditions relate to our manufacturer's guarantee only – your statutory rights are unaffected.

The conditions below describe the prerequisites and scope of our guarantee. They do not affect your statutory rights or the obligations of your retailer and your contract with them.

Shark® Guarantees

Your Shark unit constitutes a sizeable investment. Your new Shark needs to work properly for as long as possible. The guarantee it comes with is an important consideration - and reflects how much confidence the manufacturer has in its product and manufacturing quality.

Every Shark machine comes with a free parts and labour guarantee. You'll also find online support at sharkclean.eu

How do I register my Shark guarantee?

You can register your guarantee online within 28 days of purchase. To save time, you'll need the following information about your Shark

- Date you purchased the unit (receipt or delivery note).
- To register online, please visit sharkclean.eu

IMPORTANT:

- The guarantee will only cover your product from the date of purchase.
- Please keep your receipt at all times. Should you need to use your guarantee we will need your receipt to verify the information you have supplied to us is correct. The inability to produce a valid receipt may invalidate your guarantee.

What are the benefits of registering my free Shark guarantee?

When you register your guarantee we'll have your details to hand if we ever need to get in touch. You can also receive tips and advice on how to get the best out of your Shark unit and hear the latest news about new Shark® technology and launches. If you register your guarantee online, you'll get instant confirmation that we've received your details.

How long are new Shark machines guaranteed for?

Our confidence in our design and quality control means that your new Shark unit is guaranteed for a total of two years.

What is covered by the free Shark guarantee?

Repair or replacement of your Shark machine (at Shark's discretion), including all parts and labour. A Shark guarantee is in addition to your legal rights as a consumer.

What is not covered by the free Shark guarantee?

1. Normal wear and tear of wearable parts (such as accessories). Replacement parts are available for purchase at sharkclean.eu
2. Damage caused by misuse, abuse, negligent handling, failure to perform required maintenance or damage due to mishandling in transit.
3. Damage caused by maintenance not authorised by Shark.

Where can I buy genuine Shark spares and accessories?

Shark spares and accessories are developed by the same engineers who developed your Shark unit. You'll find a full range of Shark spares and replacement parts/accessories for all Shark machines at sharkclean.eu Please remember that damage caused by the use of non-Shark spares may not be covered under your guarantee.

PLEASE READ CAREFULLY AND KEEP FOR FUTURE REFERENCE.

These instructions are designed to help you keep your Shark Robot running at peak performance.

SharkNinja Europe Ltd,

1st/2nd Floor Building 3150,
Thorpe Park,
Century Way,
Leeds, England,
LS15 8ZB

SharkNinja Germany GmbH,

Rotfeder-Ring 9,
60327 Frankfurt am Main, Germany
sharkclean.co.uk

Illustrations may differ from actual product. We are constantly striving to improve our products; therefore the specifications contained herein are subject to change without notice.

WICHTIGE SICHERHEITSHINWEISE

VOR DEM GEBRAUCH BITTE SORGFÄLTIG DURCHLESEN • NUR FÜR DEN HAUSGEBRAUCH

WARNHINWEIS

So verringerst du das Risiko von Brand, Elektroschock, Verletzungen oder Sachschäden:

KINDER ODER TIERE DÜRFEN NICHT IN RÄUMEN UNBEAUF SICHTIGT GELASSEN WERDEN, DIE FÜR DEN SAUGROBOTER WÄHREND DER REINIGUNG ZUGÄNGLICH SIND.

LASER-WARNUNG

DIESES PRODUKT HAT EINEN LASER DER KLASSE 1. DEN SAUGROBOTER STETS AUSSCHALTEN, BEVOR ER HOCHGEHOBBEN WIRD ODER WARTUNGSARBEITEN AN IHM VORGENOMMEN WERDEN. NICHT DIREKT IN DEN LASER SCHAUEN.

WENN DER STECKER DES LADEKABELS NICHT VOLLSTÄNDIG IN DIE STECKDOSE PASST, WENDE DICH AN EINEN QUALIFIZIERTEN ELEKTRIKER. SCHIEBE DEN STECKER NICHT MIT GEWALT IN DIE STECKDOSE, UND VERSUCHE NICHT, DEN STECKER AN DIE STECKDOSE ANZUPASSEN.

ALLGEMEINE WARNHINWEISE


Bei der Verwendung eines Elektrogeräts sollten stets grundlegende Vorkehrungen befolgt werden, einschließlich der folgenden:

1. Dieses Gerät besteht aus einem Saugroboter und einer Ladestation mit Netzteil. Diese Komponenten enthalten elektrische Anschlüsse, elektrische Leitungen und bewegliche Teile, von denen eine Gefahr für den Benutzer ausgehen kann.
2. Prüfe sämtliche Komponenten vor der Verwendung auf Schäden. Ist eine Komponente beschädigt, darf der Staubsauger nicht verwendet werden.
3. Verwende ausschließlich identische Ersatzteile.
4. Dieser Saugroboter enthält keine Ersatzteile.
5. Verwende das Gerät nur wie in dieser Bedienungsanleitung beschrieben. Verwende den Saugroboter AUSSCHLIESSLICH für die in dieser Bedienungsanleitung angegebenen Zwecke.
6. Mit Ausnahme einiger Filter und des Staubbehälters dürfen keine Teile des Saugroboters mit Wasser oder anderen Flüssigkeiten in Berührung kommen.
7. **Greife NICHT in die Öffnungen der Station oder des Saugroboters.**

Warnhinweise ZUR NUTZUNG

8. Dieses Produkt hat einen Laser der Klasse 1. Schalte den Saugroboter stets aus, bevor er hochgehoben wird oder Wartungsarbeiten an ihm vorgenommen werden.
9. **NICHT** direkt in den Laser schauen.
10. Schalte den Saugroboter immer aus, bevor du den Filter oder Staubbehälter einsetzt oder entfernst.
11. Fasse den Netzstecker, die Ladestation, das Ladekabel oder den Saugroboter **NICHT** mit nassen Händen an. Reinigungs- und durch den Anwender vorzunehmende Wartungsarbeiten dürfen niemals von unbeaufsichtigten Kindern durchgeführt werden.
12. Dieses Gerät ist **KEIN** Kinderspielzeug.
13. Dieses Gerät kann unter Aufsicht oder nach ausreichender Einweisung von Kindern ab 8 Jahren und von Personen mit verminderten physischen, sensorischen oder geistigen Fähigkeiten oder einem Mangel an Erfahrung und Kenntnissen verwendet werden, wenn diese die damit verbundenen Risiken kennen.

14. Verwende den Saugroboter **NICHT** ohne eingesetzten Staubbehälter und Filter.
15. Beschädige **NIEMALS** das Ladekabel:
 - a) Ziehe oder trage die Ladestation **NICHT** am Kabel und verwende das Kabel auch nicht als Griff.
 - b) Entferne den Stecker **NIEMALS** durch Ziehen am Stromkabel aus der Steckdose. Greife zum Ziehen den Stecker, nicht das Kabel.
 - c) Achte darauf, das Kabel **NIEMALS** in einer Tür einzuklemmen, um scharfkantige Ecken zu ziehen oder in der Nähe heißer Oberflächen liegenzulassen.
 - d) Das Stromkabel kann nicht ersetzt werden. Wenn das Kabel beschädigt ist, ist das Gerät zu entsorgen.
16. Stecke **KEINE** Gegenstände in die Düse oder Zubehöröffnungen. Benutze das Gerät **NICHT**, wenn eine Öffnung blockiert ist. Halte die Öffnung immer frei von Staub, Fusseln, Haaren und allem, was den Luftstrom einschränken könnte.
17. Verwende den Saugroboter **NICHT**, wenn der Luftstrom des Saugroboters beeinträchtigt ist. Wenn der Luftstrom blockiert ist, schalte den Staubsauger aus und entferne sämtliche Fremdkörper, bevor du das Gerät wieder in Betrieb nimmst.
18. Halte die Düse und alle Öffnungen des Staubsaugers von Haaren, Gesicht, Fingern, bloßen Füßen oder loser Kleidung fern.
19. Benutze den Saugroboter **NICHT**, wenn er nicht ordnungsgemäß funktioniert bzw. fallen gelassen, beschädigt, im Freien stehen gelassen oder in Wasser getaucht wurde.
20. Stelle den Staubsauger **NICHT** auf instabile Oberflächen wie Stühle oder Tische.
21. Verwende das Gerät **NICHT**, um damit die folgenden Gegenstände aufzunehmen:
 - a) Flüssigkeiten.
 - b) Große Gegenstände.
 - c) Harte oder scharfe Gegenstände (Glas, Nägel, Schrauben oder Münzen).
 - d) Große Staubmengen (Staub von Trockenbau, Kaminasche oder Glut.)
 - e) Verwende das Gerät **NICHT** als Zubehörteil für andere netzbetriebene Geräte zur Staubaufnahme.
 - f) Rauchende oder brennende Gegenstände (heiße Kohlen, Zigarettenkippen oder Streichhölzer).
 - g) Entflammbare oder brennbare Materialien (Feuerzeugbenzin, Benzin oder Kerosin).
 - h) Toxische Materialien (Chlorbleiche, Ammoniak oder Abflussreiniger).

- i) Toxische Materialien (hohe Konzentrationen von Chlorbleiche, hohe Konzentrationen von Ammoniak oder Abflussreiniger).
22. Verwende das Gerät **NICHT** in/auf den folgenden Bereichen:
- Nasse oder feuchte Oberflächen
 - Außenbereichen in der Nähe von frei zugänglichen Kaminen oder Feuerstellen.
 - Abgeschlossenen Bereichen, die explosive oder toxische Gase oder Dämpfe enthalten können (Feuerzeugbenzin, Benzin, Kerosin, Farbe, Farbverdünner, Mottenschutzmittel oder entflammbarer Staub).
 - In Bereichen mit einer Standheizung.
 - In der Nähe von frei zugänglichen Kaminen oder Feuerstellen.
23. Schalte den Saugroboter aus, bevor du ihn anpasst oder reinigst bzw. Wartungsarbeiten oder eine Fehlerdiagnose und -behebung durchführst. Hinweis: Auch in der AUS-Position (O) verbraucht der Saugroboter noch etwas Strom.
24. Lasse alle Filter vollständig an der Luft trocknen, bevor du diese wieder in den Staubsauger einsetzt, damit keine Flüssigkeit in die elektrischen Teile gerät.
25. Versuche **NICHT**, den Saugroboter bzw. den Akku selbst zu verändern oder zu reparieren, es sei denn, der Vorgang wird in dieser Bedienungsanleitung beschrieben. Verwende den Staubsauger **NICHT**, wenn er verändert oder beschädigt wurde.
26.  Halten Sie die Finger stets von den Rädern und der Aufhängung fern, wenn der Roboter eingeschaltet ist.
27. Verwende **KEINEN** Haushaltsreiniger (Allzweckreiniger, Glasreiniger, Bleiche) auf den Hochglanzflächen der Basisstation oder des Saugroboters, da die darin enthaltenen Chemikalien diese Oberflächen angreifen könnten. Verwende stattdessen ein mit Wasser befeuchtetes Tuch zur Reinigung.
28. Um das Risiko zu minimieren, dass der Saugroboter in unsichere Bereiche (Treppenabsätze, Kamine, Nassbereiche) fährt, definiere diese Bereiche mithilfe der Kartenfunktion in der mobilen SharkClean-App als sogenannte „Sperrzonen“. Lasse nach dem Festlegen der Abgrenzung den Staubsauger laufen und prüfe, ob die Einstellungen den Saugroboter tatsächlich vom Überschreiten der Grenzen abhalten. Wenn nötig, passe die Einstellungen an. Nutzer ohne App verwenden eine Abgrenzung, um unsicheres Terrain zu sperren.

AKKUBETRIEB

29. Der Akku dient als Stromquelle für den Staubsauger. Alle Anweisungen zum Aufladen müssen gelesen und befolgt werden.
30. Um ein versehentliches Starten zu verhindern, stelle sicher, dass der Staubsauger ausgeschaltet ist, bevor du ihn hochhebst oder trägst.
31. Verwende nur die SHARK Ladestation und den Akku, die in der Tabelle unten angegeben sind, und verwende nur den Akku RVBAT85002 (33V) RVBAT850 (MH1), oder RVBAT850 (26V). Eine Verwendung anderer Akkus oder Ladegeräte kann zu einem Brandrisiko führen.
32. Halte den Akku fern von allen metallischen Objekten wie Büroklammern, Münzen, Schlüsseln, Nägeln oder Schrauben. Das Kurzschließen der Akkuklemmen kann zu Bränden und Verbrennungen führen.
33. Bei falscher Handhabung könnten Flüssigkeiten aus dem Akku austreten. Kontakt mit solchen Flüssigkeiten muss unbedingt vermieden werden, da diese Reizungen und Verbrennungen verursachen können. Bei Kontakt unbedingt gründlich mit Wasser abwaschen. Sollte die Flüssigkeit in die Augen geraten, suche unverzüglich einen Arzt auf.
34. Der Saugroboter sollte nicht bei Temperaturen unter 10 °C oder über 40 °C gelagert, geladen oder verwendet werden. Vergewissere dich, dass der Akku und der Sauger vor dem Laden oder Verwenden die Raumtemperatur erreicht haben. Wenn der Roboter oder der Akku Temperaturen ausgesetzt werden, die außerhalb dieses Bereichs liegen, kann es zu Schäden am Akku und einem erhöhten Brandrisiko kommen.
35. Setze den Saugroboter oder Akku **NIE** Flammen oder Temperaturen über 130 °C aus, da dies zu einer Explosion führen kann.

Gerät	Akku
SKU	RVBAT85002 (33V) RVBAT850 (MH1), or RVBAT850 (26V).

Gerät	Ladestation
SKU	XDRV2800WDEU XD0CK2800WDEU

DIESE BEDIENUNGSANLEITUNG GUT AUFBEWAHREN

Die aktuellsten Warnhinweise findest du unter www.sharkclean.de/robohelp

Bitte lies unbedingt vor dem ersten Gebrauch des Saugroboters die online verfügbare Shark®
Bedienungsanleitung.

Shark **POWERDETECT** **KURZANLEITUNG**

DOWNLOAD DER SHARKCLEAN-APP



Scanne den QR-Code mit der Kamera
deines Smartphones, um die App
schnell zu finden und herunterzuladen.

ENDBENUTZER-LIZENZVEREINBARUNG FÜR DIE SOFTWARE VON SHARKNINJA

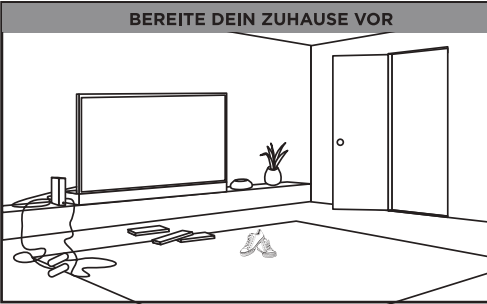
sharkclean.de/EULA

sharkclean.eu

HOL DAS BESTE AUS DEINEM SAUGROBOTER HERAUS

Lade für ein optimales Benutzererlebnis die SharkClean-App herunter und beachte die folgenden Tipps.

BEREITE DEIN ZUHAUSE VOR



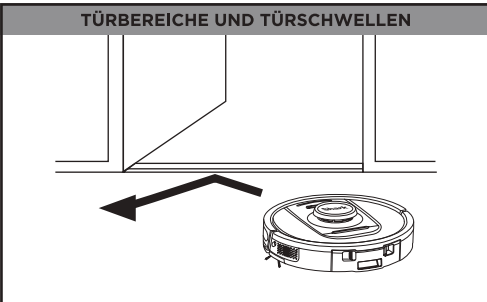
Dein Power Detect Saugroboter fährt nicht über Kabel. Um eine optimale Flächenabdeckung und lückenlose Reinigung zu erzielen, wird empfohlen, Kabel und Gegenstände unter 11,5 cm Höhe von den Böden zu entfernen. Öffne die Innentüren, um eine vollständige Kartografierung deines Wohnraums zu ermöglichen.

ZEITPLANUNG UND INTERAKTIVE KARTE



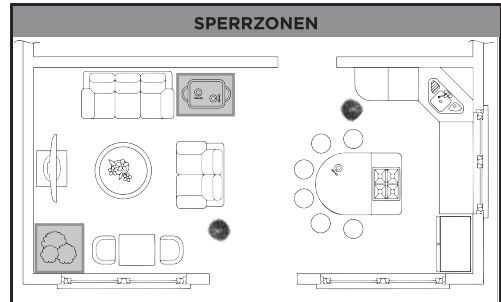
- Richte für dauerhafte Sauberkeit einen Reinigungsplan für dein gesamtes Zuhause in der App ein.
- Nutze die interaktive Karte deiner Wohnung, um die Reinigung noch individueller anzupassen.

TÜRBEREICHE UND TÜRSCHWELLEN



Dein Saugroboter kann die meisten Türschwellen problemlos überqueren. Wenn diese jedoch eine Höhe von 2,5 cm überschreiten, richte in der App eine Sperrzone ein, um sie zu blockieren.

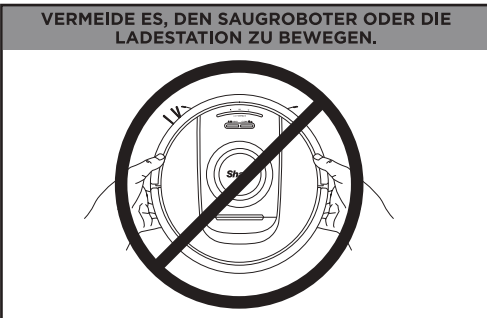
SPERRZONEN



Erstelle Sperrzonen in der App, um deinen Saugroboter von den Bereichen fernzuhalten, die du aussparen möchtest:

- In der Nähe von Stromkabeln oder Handy-Ladegeräten.
- Vor hohen Türschwellen.

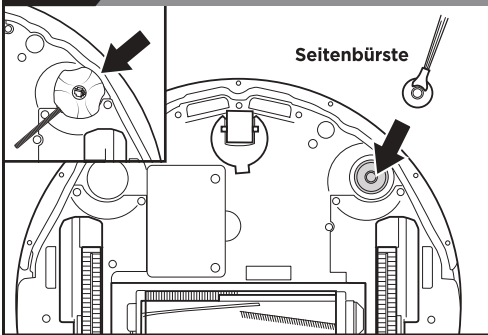
VERMEIDE ES, DEN SAUGROBOTER ODER DIE LADESTATION ZU BEWEGEN.



Sofern möglich, hebe den Saugroboter während der Reinigungsarbeiten NICHT hoch und bewege ihn auch nicht. Gleiches gilt für die Ladestation. Andernfalls könnte es passieren, dass der Saugroboter nicht mehr in der Lage ist, dein Zuhause zu kartieren.

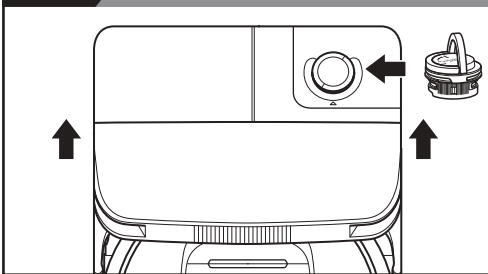
EINRICHTUNG

SCHRITT 1 DEN SAUGROBOTER VORBEREITEN



- Entferne die Schutzfolie vom Saugroboter und von der Basisstation.
- Befestige die Seitenbürste.
- Das Design der Seitenbürste kann variieren. Bei einigen Modellen ist eine Ersatzbürste enthalten.

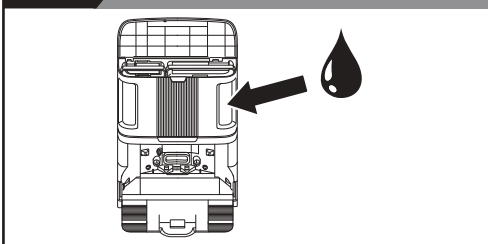
SCHRITT 3 EINSETZEN DER GERUCHSKARTUSCHE



1. Setzen Sie die Kartusche oben in die Basis ein.
2. Drehen Sie die Kartusche, bis sie einrastet.

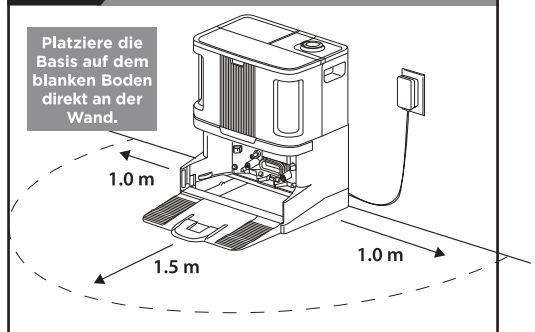
Hinweis: Vergewissern Sie sich, dass die Geruchskartusche in der Basis installiert ist, bevor Sie den Roboter benutzen.

SCHRITT 5 FÜLLE DEN REINIGUNGSTANK



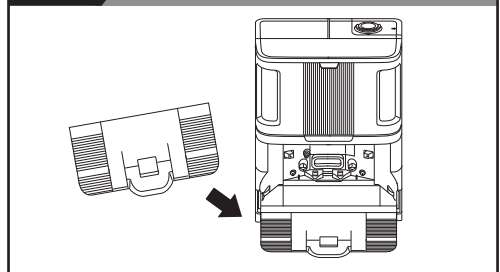
- Hebe den Deckel vorn auf der Oberseite der Basisstation an. Nimm den Reinwassertank auf der rechten Seite heraus.
- Fülle den Tank bis zur MAX-Fülllinie mit lauwarmem Wasser auf und setze ihn wieder ein.

SCHRITT 2 DIE SELBSTLEERENDE BASIS EINRICHTEN



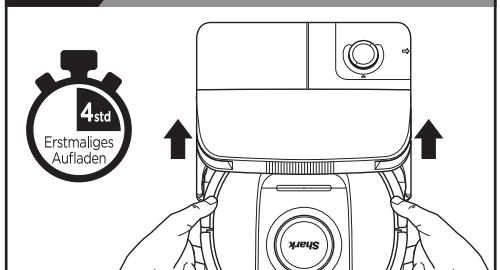
- Finde einen **dauerhaften** Standort für die Basis an zentraler Stelle mit **gutem WLAN-Signal**.
 - Entferne alle Gegenstände, die weniger als 1 Meter von den Seiten der Basis oder weniger als 1,5 Meter von der Vorderseite der Basis entfernt sind.
 - Schließe die Basis an das Stromnetz an.
- *Die Basis nicht direkter Sonneneinstrahlung aussetzen.**

SCHRITT 4 RAMPE AN DER BASISSTATION INSTALLIEREN



- Richten Sie das flache Ende der Rampe am Sockel aus und setzen Sie die Rampe in den Sockel ein.
- Hebe die Rampe ein Stück über die Basisstation, richte sie aus und drücke sie nach unten, bis die Rampe einrastet.

SCHRITT 6 DEN SAUGROBOTER LADEN



- Stelle den Saugroboter zum Laden für **6 Stunden** auf die Basis.
- Achte darauf, dass der Saugroboter auf der Basis ordnungsgemäß ausgerichtet ist.
- **ZUM EINSCHALTEN DES SAUGROBOTERS:** Platziere den Saugroboter auf der Basis und halte die **BASISSTATION-Taste** (REINIGEN) fünf bis sieben Sekunden lang gedrückt, bis die Anzeigelampen angehen.
- Richten Sie den Roboter so aus, dass das Shark-Logo umgedreht steht, und schieben Sie ihn über die Rampe auf die Basisstation. * **Ladezeiten können variieren.**

EINRICHTUNG

SCHRITT 7 APP HERUNTERLADEN

SharkClean-App-Funktionen

- ✓ Präzise Kartierung der Wohnung
- ✓ Raumauswahl
- ✓ Punktuelle Reinigung
- ✓ Sperrzonen
- ✓ Zeitplanung
- ✓ Tiefenreinigung
- ✓ Wartungstipps



Suche im App Store nach „SharkClean“ oder scanne den QR-Code auf der Vorderseite, um die App herunterzuladen.

DU KANNST KEINE VERBINDUNG ZUM WLAN HERSTELLEN?



Starte dein Telefon neu.

- Schalte dein Telefon aus, warte ein paar Minuten, schalte es wieder ein und stelle eine Verbindung zum WLAN her.

Starte deinen Saugroboter neu.

- Nehmen Sie den Roboter aus der Basisstation und drücken und halten Sie die Basis-Taste am Roboter 12 Sekunden lang gedrückt. Schalten Sie Ihren Roboter wieder ein, indem Sie ihn über die Rampe auf die Basisstation schieben.

Starte deinen Router neu.

- Ziehe das Netzkabel des Routers für 30 Sekunden aus der Steckdose und schließe es dann wieder an. Warte einige Minuten, bis der Router vollständig neu gestartet ist.

Hast du Fragen? Maßnahmen zur Problembehandlung:

Probleme beim Verbinden mit dem Saugroboter?
Häufig gestellte Fragen, Anleitungsvideos, Fehlerdiagnose und -behebung, Tipps und Tricks findest du auf: sharkclean.de



Die vollständige Anleitung findest du auf: qr.sharkclean.com/RVDetectProEUseries

HIER MIT DER KAMERA DEINES SMARTPHONES SCANNEN

- Um die App nutzen zu können, muss dein Telefon mit einem 2,4-GHz-Netzwerk verbunden sein. Die App funktioniert nicht in einem 5-GHz-Netzwerk.
- Verwende **KEIN** VPN und keinen Proxy-Server.
- Stelle sicher, dass die WLAN-Isolation am Router ausgeschaltet ist.

VOR DER REINIGUNG

Der Saugroboter muss einen Erkundungslauf durchführen, um eine Karte deiner Wohnung zu erstellen.

Der Saugroboter benötigt mindestens 70 % Akku, um mit dem Erkundungslauf zu beginnen.

Während des Erkundungslaufs wird der Saugroboter in deiner Wohnung umherfahren und dabei eine Karte erstellen.

Nach diesem Lauf kannst du in den Bereichen deiner Wohnung, die der Saugroboter beim Reinigen umgehen soll, Sperrzonen einrichten. Wenn du keine Sperrzonen einrichten möchtest, kannst du diesen Schritt überspringen.

Jetzt kann die Reinigung losgehen.

INTERAKTIVE KARTEN MIT VERBOTSZONEN



MOTORVORFILTER

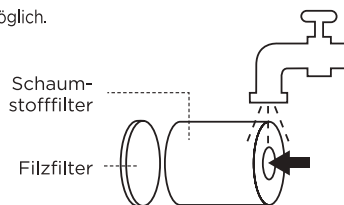
WICHTIG - Reinige die Filter jeden Monat, andernfalls ist ein Verlust der Saugkraft möglich.

Spüle ihn aus und lasse ihn an der Luft trocknen. Klopfle gegebenenfalls zusätzlich zwischen den einzelnen Reinigungsläufen den losen Schmutz einfach vom Filter. Der Filter muss 48 Stunden trocknen, bevor er wieder eingesetzt werden kann.

Schaumstofffilter erscheinen meist schmutzig nach dem Gebrauch - das ist normal.



Stecke deine Finger **NICHT** in Öffnungen, die nicht für den Benutzierzugriff vorgesehen sind.



ZWEI (2) JAHRE BESCHRÄNKTE GARANTIE RV2800ZEEU

Wenn Sie als Verbraucher ein Produkt in Deutschland kaufen, erhalten Sie automatisch Ihre gesetzlichen Gewährleistungsrechte hinsichtlich der Mangelfreiheit des jeweiligen Produktes. Sie können diese gesetzlichen Rechte Ihrem Einzelhändler, bei dem Sie das Produkt erworben haben, gegenüber geltend machen oder uns gegenüber, sofern Sie das Produkt direkt bei Shark erworben haben. Die Inanspruchnahme dieser gesetzlichen Rechte ist unentgeltlich.

Allerdings haben wir bei Shark so großes Vertrauen in die Qualität unserer Produkte, dass wir Ihnen eine zusätzliche Herstellergarantie von zwei (2) Jahren bieten. Diese Garantie schränkt Ihre gesetzlichen Rechte aus dem Kaufvertrag mit dem Einzelhändler, bei dem Sie das Produkt erworben haben, oder die Verpflichtungen Ihres Einzelhändlers aus dem Kaufvertrag mit ihm nicht ein. Das gilt auch gegenüber uns, wenn Sie das Produkt direkt von Shark erworben haben.

Nachfolgend werden die Bedingungen und der Umfang unserer Herstellergarantie beschrieben, die SharkNinja Germany GmbH, Rolfeder-Ring 9, 60327 Frankfurt am Main (Deutschland) gibt.

Shark*-Garantie

Ein Haushaltsgerät bedeutet eine beträchtliche Investition. Ihr neues Gerät sollte daher so lange wie möglich funktionieren. Die Garantie spielt dabei eine wichtige Rolle und spiegelt wider, wie viel Vertrauen der Hersteller in sein Produkt und die Herstellungsqualität hat

Wie lang ist die Garantie auf unsere Produkte?

Da wir großes Vertrauen in unser Design und die Qualitätskontrolle setzen, ist die Garantie für Ihr Produkt für eine Dauer von zwei (2) Jahren ab dem Kaufdatum gültig.

Wo ist die Garantie räumlich gültig?

Bitte beachten Sie, dass die zwei Jahres-Garantie für alle Produkte Geltung hat, die bei einem Händler (online und offline) mit Sitz in der EU gekauft wurden.

Wie mache ich die Garantie geltend?

Wenden Sie sich hierzu bitte an unseren Kundendienst. Unsere Kundendienst-Helpline (**0800 000 9063**) ist von Montag bis Freitag von 9.00 bis 18.00 Uhr für Sie da. Der Anruf ist kostenlos, und Sie werden sofort zu einem Mitarbeiter von uns durchgestellt. Halten Sie hierzu auch bitte Ihren Kaufbeleg bereit. Bitte bewahren Sie den Kaufbeleg immer auf. Wenn ein Garantiefall eintritt, brauchen wir den Kaufbeleg, um zu prüfen, ob die Informationen, die Sie uns gegeben haben, korrekt sind. Wenn Sie keinen gültigen Kaufbeleg vorlegen können, verlieren Sie dadurch Ihren Garantieanspruch.

Sie können unserem Kundendienst auch eine E-Mail an kundendienst-de@sharkninja.com schicken. Bitte fügen Sie auch hier eine Kopie Ihres Kaufbeleges bei und schildern Sie uns Ihren Garantiefall so detailliert wie möglich.

Wenn Sie uns mit einem Garantieanspruch kontaktieren, werden wir in erster Linie entsprechende Fehlerbehebungsmaßnahmen mit Ihnen durchführen und, je nach Ergebnis, den weiteren Verlauf mit Ihnen besprechen. In den meisten Fällen werden wir Ihnen Ersatzteile schicken oder Ihr Gerät komplett ersetzen, falls der Fehler nicht mit einem Ersatzteil gelöst werden kann.

Sie erhalten auch Online-Unterstützung unter www.sharkclean.eu

Wie registriere ich meine Garantie?

Sie können Ihre Garantie innerhalb von 28 Tagen ab dem Kaufdatum online registrieren.

Um Zeit zu sparen, halten Sie bitte die folgenden Informationen zu Ihrem Gerät bereit:

- Modellnummer
- Seriennummer (falls verfügbar)
- Kaufdatum des Produkts (Kauf- oder Lieferbeleg)

Um sich zu registrieren, besuchen Sie bitte www.sharkclean.eu

Welche Vorteile habe ich von der Registrierung meiner Garantie?

Die Registrierung der Garantie ist keine Voraussetzung für deren Geltendmachung. Wenn Sie Ihre Garantie aber registrieren, können Sie auch unseren Newsletter mit Tipps, Ratschlägen und Gewinnspielen abonnieren. Über den Newsletter erhalten Sie aktuelle Nachrichten zu neuen Technologien und Produkten von Shark. Wenn Sie Ihre Garantie online registrieren, erhalten Sie sofort eine Bestätigung, dass Ihre Daten bei uns eingegangen sind.

Details zu unserer Datenschutzrichtlinie finden Sie unter www.sharkclean.eu

Was wird durch die Garantie abgedeckt?

Reparatur oder Ersatz Ihres Produkts (nach Wahl von uns), einschließlich aller Teile und der Arbeitszeit bei Konstruktions-, Material- und Verarbeitungsfehlern (inklusive Transport- und Versandkosten).

ZWEI (2) JAHRE BESCHRÄNKTE GARANTIE RV2800ZEEU**Was wird durch die Garantien nicht abgedeckt?**

- Normaler Verschleiß.
- Versehentliche Beschädigungen, Fehler, verursacht durch fahrlässigen Gebrauch oder nachlässige Pflege, Fehlbedienung, Vernachlässigung, achtlose oder unsachgemäße Handhabung des Haushaltsgerät, die nicht in Übereinstimmung mit den Anweisungen in der mitgelieferten Bedienungsanleitung von Shark® zu Ihrem Gerät erfolgt.
- Gebrauch des Luftreinigers zu anderen Zwecken als dem normalen Gebrauch im Haushalt.
- Der Gebrauch von Teilen, die nicht in Übereinstimmung mit den Anweisungen in der Bedienungsanleitung montiert oder installiert wurden.
- Verwendung von Teilen und Zubehör, die keine Originalkomponenten von Shark® sind.
- Fehlerhafte Installation (außer, wenn die Installation von Shark durchgeführt wurde).
- Wenn Reparaturen oder Änderungen, die nicht von Shark und seinen Handelsvertretern oder Vertragshändlern, sondern von Dritten durchgeführt wurden, es sei denn, Sie können nachweisen, dass die Reparaturen oder Änderungen, die von anderen durchgeführt wurden, nicht mit dem Mangel zusammenhängen, für den Sie die erweiterte Garantie ausüben.

Was geschieht, wenn meine Garantie ausläuft?

Shark stellt keine Geräte her, die nur für eine begrenzte Zeit funktionieren. Wir wissen es zu schätzen, wenn Kunden ihren Luftreiniger auch nach Ablauf der Garantiefrist reparieren lassen möchten. Bitte kontaktieren Sie in diesem Falle unsere Kundendienst-Helpline unter der Rufnummer **0800 000 9063**, und fragen Sie nach unserem Kundenprogramm für abgelaufene Garantien.

Wo kann ich Originalersatzteile und Originalzubehör von Shark kaufen?

Ersatzteile und Zubehör von Shark werden von denselben Ingenieuren entwickelt, die auch Ihr Shark entwickelt haben. Die vollständige Palette der Ersatz- und Zubehörteile von Shark für alle Shark-Geräte finden Sie unter www.sharkclean.eu

BITTE AUFMERKSAM DURCHLESEN UND ZUR INFORMATION AUFBEWAHREN

Diese Bedienungsanleitung hilft dir dabei, deinen Shark Robot bestmöglich zu verwenden.

SharkNinja Europe Ltd,

1st/2nd Floor Building 3150,
Thorpe Park,
Century Way,
Leeds, England,
LS15 8ZB

SharkNinja Germany GmbH

Rotfeder-Ring 9
60327 Frankfurt am Main, Deutschland
sharkclean.de

Die Abbildungen können vom tatsächlichen Produkt abweichen. Im ständigen Bemühen um die fortlaufende Verbesserung unserer Produkte behalten wir uns Änderungen der hierin enthaltenen Spezifikationen ohne Ankündigung vor.

INSTRUCCIONES DE SEGURIDAD IMPORTANTES

LÉELAS ATENTAMENTE ANTES DE USAR EL PRODUCTO • PARA USO EXCLUSIVAMENTE DOMÉSTICO

⚠ ADVERTENCIA

Para reducir el riesgo de incendio, descarga eléctrica, lesiones o daños materiales, sigue estas instrucciones:

NO DEJES A NIÑOS O ANIMALES SIN VIGILANCIA EN UNA HABITACIÓN EN LA QUE TENGAN ACCESO AL ROBOT ASPIRADOR CUANDO ESTÁ LIMPIANDO.

ADVERTENCIA SOBRE EL LÁSER

ESTE PRODUCTO TIENE UN LÁSER DE CLASE 1. DESCONECTA SIEMPRE EL ROBOT ASPIRADOR ANTES DE LEVANTARLO O DE LLEVAR A CABO CUALQUIER TAREA DE MANTENIMIENTO. NO MIRES DIRECTAMENTE AL LÁSER.

SI EL CARGADOR NO ENCAJA EN EL ENCHUFE, PONTE EN CONTACTO CON UN ELECTRICISTA CUALIFICADO. NO LO FUERCES NI TRATES DE MODIFICARLO PARA QUE ENCAJE EN LA TOMA DE CORRIENTE.

ADVERTENCIAS GENERALES


Cuanto utilices productos eléctricos, debes seguir siempre precauciones básicas de seguridad, incluidas las siguientes:

1. Este producto consiste en un robot aspirador y una base de carga con fuente de alimentación. Estos componentes contienen conexiones eléctricas, cableado eléctrico y piezas móviles que constituyen un riesgo para el usuario.
2. Antes de usar el producto, inspecciona minuciosamente todas las piezas por si presentasen daños. Si alguna pieza está dañada, no sigas utilizando el producto.
3. Utiliza exclusivamente recambios idénticos.
4. Este robot aspirador no contiene piezas reparables.
5. Utiliza el producto exclusivamente de la manera que se indica en este manual. NO utilices el robot aspirador para fines que no sean los que se describen en este manual.
6. A excepción de determinados filtros y el depósito de polvo, NO pongas en contacto con agua u otros líquidos ninguna pieza del robot aspirador.
7. **NO metas las manos en ninguna abertura de la base ni del robot.**

ADVERTENCIAS DE USO

8. Este producto tiene un láser de clase 1. Desconecta siempre el robot aspirador antes de levantarlo o de llevar a cabo cualquier tarea de mantenimiento.
9. **NO** mires directamente al láser.
10. Apaga siempre el robot aspirador antes de insertar y retirar el filtro o el depósito de polvo.
11. **NO** manipules el enchufe, la base de carga, el cargador ni el robot aspirador con las manos mojadas. Los niños no deben realizar la limpieza y el mantenimiento sin supervisión.
12. Los niños **NO** deben jugar con este producto.
13. Este producto pueden utilizarlo menores a partir de ocho años de edad; personas en situación de discapacidad física, sensorial o intelectual; o personas que carezcan de experiencia y conocimientos, siempre que lo hagan bajo supervisión o hayan recibido instrucciones para utilizarlo en condiciones de seguridad y entiendan los riesgos asociados.

14. **NO** utilices el robot aspirador sin haber colocado antes el depósito de polvo y el filtro en su sitio.
15. **NO** causes daños en el cable de carga:
 - a) **NO** tires del cable para desplazar la base de carga ni lo utilices como mango.
 - b) **NO** tires del cable para desenchufar el producto. Agarra el enchufe, no el cable.
 - c) **NO** cierres una puerta con el cable entre medias, no tires del cable sobre bordes afilados ni lo dejes sobre superficies calientes.
 - d) El cable de alimentación no se puede cambiar. Si el cable se daña, debe desecharse el producto.
16. **NO** introduzcas ningún objeto en las aberturas del cabezal o de los accesorios. **NO** utilices el producto si hay alguna abertura obstruida; mantén las aberturas libres de polvo, pelusa, cabellos y todo lo que pueda reducir el flujo de aire.
17. **NO** utilices el robot aspirador si el flujo de aire es escaso. Si los conductos de aire están obstruidos, apaga el robot aspirador y retira cualquier obstrucción antes de volver a encender la unidad.
18. Mantén el cabezal y todas las aberturas del robot aspirador alejados del cabello, la cara, los dedos, los pies descalzos y la ropa suelta.
19. **NO** utilices el robot aspirador si no funciona correctamente, o si se ha caído, ha sufrido daños, se ha dejado a la intemperie o se ha sumergido en agua.
20. **NO** pongas el robot aspirador sobre superficies inestables.
21. **NO** lo uses para recoger:
 - a) Líquidos.
 - b) Objetos grandes.
 - c) Objetos duros o afilados (vidrio, clavos, tornillos o monedas).
 - d) Grandes cantidades de polvo (polvo de yeso, cenizas de chimeneas o brasas).
 - e) **NO** lo utilices como accesorio de herramientas eléctricas para recoger polvo.
 - f) Objetos humeantes o ardientes (carbón caliente, colillas de cigarrillos o cerillas).
 - g) Materiales inflamables o combustibles (líquido para mecheros, gasolina o queroseno).
 - h) Materiales tóxicos (lejía, amoníaco o limpiatuberías).

- i) Materiales tóxicos (altas concentraciones de lejía, altas concentraciones de amoníaco o solución limpiatuberías).
- 22. **NO** lo uses en las siguientes áreas:
 - a) Superficies húmedas o mojadas
 - b) Áreas al aire libre cerca de chimeneas con accesos abiertos.
 - c) Espacios cerrados que puedan contener gases o vapores explosivos o tóxicos (líquido para macheros, gasolina, queroseno, pintura, disolventes de pintura, sustancias antipolillas o polvo inflamable).
 - d) En un área con un calentador.
 - e) Cerca de chimeneas con accesos abiertos.
- 23. Apaga el robot aspirador antes de realizar cualquier tarea de ajuste, limpieza, mantenimiento o resolución de problemas. Advertencia: En la posición OFF (O) de apagado, el robot aspirador aún sigue consumiendo una pequeña cantidad de electricidad.
- 24. Deja que todos los filtros se sequen completamente al aire antes de volver a instalarlos para evitar que entre líquido en los componentes eléctricos.
- 25. **NO** alteres ni intentes reparar el robot aspirador ni la batería tú mismo, a excepción de las indicaciones que aparecen en esta guía del usuario. **NO** utilices el robot aspirador si se ha alterado o dañado.
- 26.  Mientras el robot esté enchufado, evita en todo momento poner los dedos en las ruedas y en el sistema de suspensión.
- 27. **NO** uses limpiadores domésticos (detergentes multiusos, limpiacristales, lejía) en ninguna de las superficies pulidas de alto brillo de la base de carga ni del robot aspirador, ya que contienen sustancias químicas que pueden dañarlas. En su lugar, usa un paño humedecido con agua para limpiarlas suavemente.
- 28. Para minimizar el riesgo de que el robot aspirador se desplace a una zona peligrosa (bordes de escaleras, desniveles, chimeneas, zonas con agua), establece estas áreas como «zonas restringidas» utilizando la función de mapeo en la aplicación móvil SharkClean. Tras establecer los límites, pon el robot aspirador a funcionar y confirma visualmente que los ajustes evitan de manera efectiva que el robot rebase los límites establecidos. Ajusta la configuración según sea necesario. Para los usuarios que no utilicen la aplicación, recomendamos usar una barrera física para bloquear las zonas peligrosas.

USO DE LA BATERÍA

- 29. Este robot aspirador recibe alimentación por medio de la batería. Lee y sigue cuidadosamente todas las instrucciones de carga.
- 30. Para evitar que el robot aspirador se ponga en marcha accidentalmente, asegúrate de que esté apagado antes de cogerlo o transportarlo.
- 31. Utiliza únicamente la base de carga y la batería SHARK indicadas en la tabla que aparece más abajo, y utiliza solo la batería RVBAT85002 (33 V) RVBAT850 (MH1), o RVBAT850 (26 V). El uso de otras baterías o cargadores puede suponer un riesgo de incendio.
- 32. Mantén la batería alejada de objetos metálicos como clips, monedas, llaves, clavos o tornillos. Si se cortocircuitan los terminales de la batería, aumenta el riesgo de incendio o quemaduras.
- 33. Si se utiliza incorrectamente, la batería puede expulsar líquido. Evita el contacto con el líquido, ya que puede provocar irritaciones o quemaduras. Si se produce el contacto, enjuágate con agua. Si el líquido entra en contacto con los ojos, busca asistencia médica.
- 34. No debes almacenar, cargar ni utilizar el robot aspirador a temperaturas inferiores a 10 °C (50 °F) ni superiores a 40 °C (104 °F). Asegúrate de que la batería y el robot aspirador hayan alcanzado la temperatura ambiente antes de cargarlo o utilizarlo. Exponer el robot aspirador o la batería a temperaturas que no estén comprendidas dentro del rango especificado podría dañar la batería y aumentar el riesgo de incendio.
- 35. **NO** expongas el robot aspirador o la batería al fuego ni a temperaturas superiores a 130 °C (265 °F), ya que podrían explotar.

Unidad	Batería
SKU	RVBAT85002 (33V) RVBAT850 (MH1), or RVBAT850 (26V).

Unidad	Base
SKU	XDRV2800WDEU XD0CK2800WDEU

GUARDA ESTAS INSTRUCCIONES

Para conocer las advertencias y precauciones más recientes, visita www.sharkclean.es/robothelp.

Lire impérativement le Guide de l'utilisateur Shark® en ligne avant d'utiliser l'appareil.

Shark **POWERDETECT** **GUIDE DE DÉMARRAGE RAPIDE**

TÉLÉCHARGER L'APPLICATION SHARKCLEAN



Pour trouver et télécharger rapidement
l'application, scannez le QR code avec
l'appareil photo du téléphone.

CONTRAT DE LICENCE D'UTILISATEUR FINAL POUR LE LOGICIEL SHARKNINJA

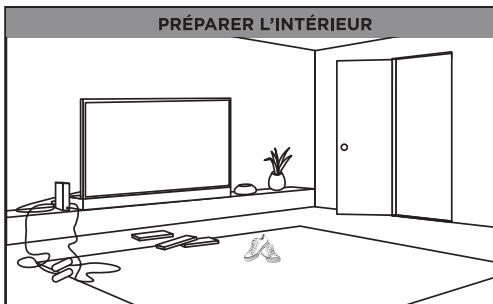
SharkClean.fr/EULA

sharkclean.eu

UTILISATION OPTIMALE DU ROBOT

Pour profiter d'une expérience optimale, téléchargez l'application SharkClean et suivez les conseils indiqués ci-dessous.

PRÉPARER L'INTÉRIEUR



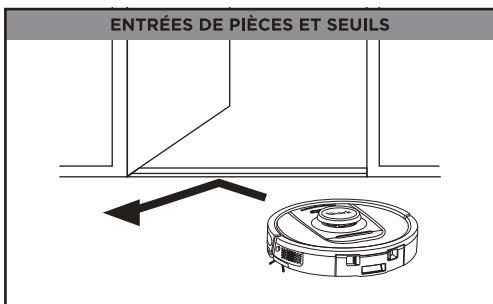
Votre robot Power Detect évitera les câbles, mais pour une couverture et un nettoyage optimaux, retirez les câbles et les objets de moins de 11,5 cm de haut des sols. Pour garantir une cartographie complète de votre logement, ouvrez toutes les portes intérieures.

PROGRAMMATION ET CARTE INTERACTIVE



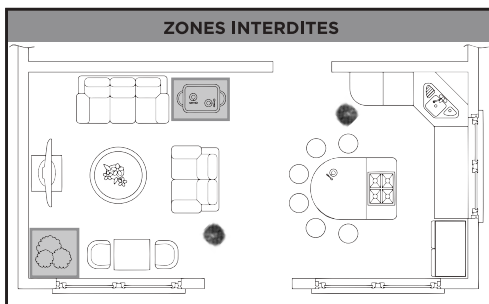
- Pour une propreté constante, configurez un programme de nettoyage de tout le logement dans l'application.
- Pour un nettoyage encore plus personnalisé, utilisez la carte interactive de l'intérieur.

ENTRÉES DE PIÈCES ET SEUILS



Votre robot peut franchir la plupart des seuils. Cependant, si un seuil dépasse 2,5 cm, définissez une zone interdite dans l'application pour bloquer l'accès à cette zone.

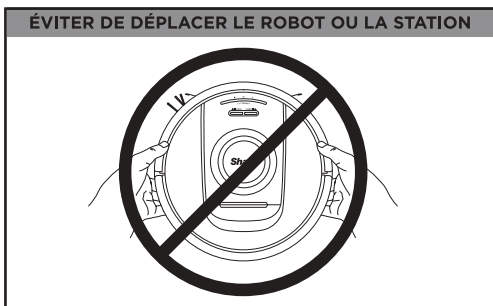
ZONES INTERDITES



Créez des zones interdites dans l'application afin de tenir votre robot à distance des endroits qu'il doit éviter :

- À proximité des câbles d'alimentation ou des chargeurs de téléphone.
- Face à des seuils hauts.

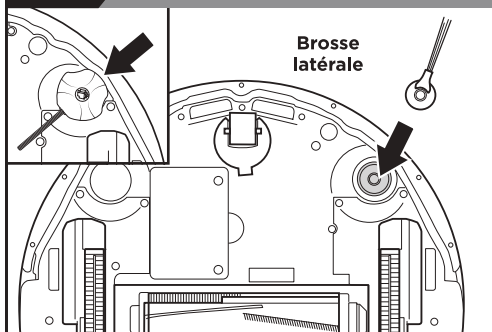
ÉVITER DE DÉPLACER LE ROBOT OU LA STATION



Lorsque votre robot est en cours de nettoyage, veillez à ne pas le ramasser pour l'emmener dans une autre pièce et ne déplacez pas la station à vidage automatique. Cela risquerait d'entraver la capacité du robot à cartographier votre logement.

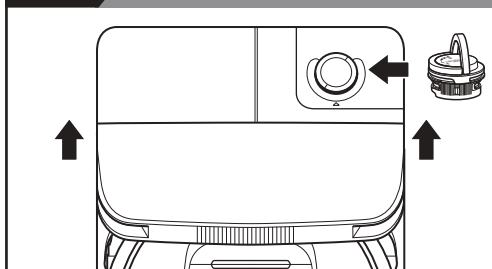
CONFIGURATION

ÉTAPE 1 PRÉPARER LE ROBOT



- Retirez le film de protection du robot et de la station.
- Fixez les brosses latérales.
- Le design de la brosse latérale peut varier. Certains modèles comprennent une recharge

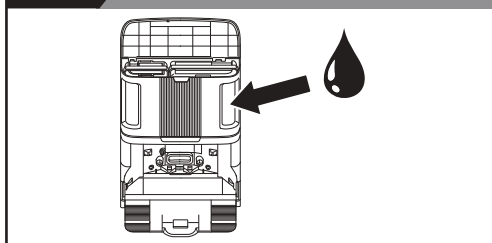
ÉTAPE 3 INSÉRER L'ENSEMBLE DE LA CARTOUCHE ANTI-ODEUR



1. Insérer l'ensemble de la cartouche dans la partie supérieure de la base.
2. Tournez la cartouche jusqu'à ce qu'elle s'enclanche.

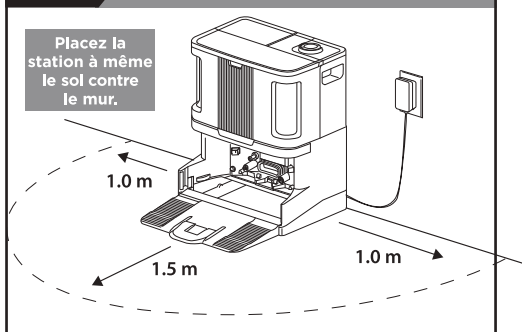
Remarque: Assurez-vous que la cartouche d'odeur est installée dans la base avant d'utiliser le robot.

ÉTAPE 5 REMPLISSEZ LE RÉSERVOIR D'EAU PROPRE



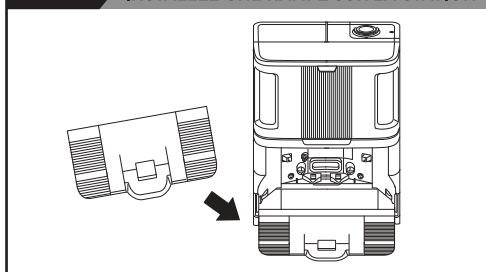
- Soulevez le couvercle de la moitié supérieure avant de la station. Retirez le réservoir d'eau propre situé sur le côté droit.
- Remplissez le réservoir avec de l'eau à température ambiante jusqu'à la ligne de remplissage MAX, puis remettez le réservoir en place.

ÉTAPE 2 CONFIGURER LA STATION DE VIDAGE AUTOMATIQUE



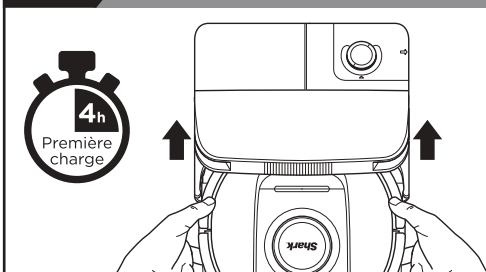
- Trouvez un emplacement **permanent** pour la station, dans un endroit central présentant un **bon signal Wi-Fi**.
- Retirez tous les objets situés à moins d'un mètre de chaque côté de la station, ou à moins d'1,5 mètre de l'avant de la station.
- Branchez la station. ***Veillez à ce que la base ne soit pas placée dans un endroit directement exposé au soleil.**

ÉTAPE 4 INSTALLEZ UNE RAMPE SUR LA STATION



- Alignez l'extrémité plate de la rampe avec la base et insérez la rampe dans la base.
- Soulevez la rampe légèrement au-dessus de la station, alignez-la et appuyez jusqu'à ce que la rampe s'enclanche avec un déclic.

ÉTAPE 6 CHARGER LE ROBOT



- Placez le robot sur la station et laissez-le charger pendant **4 heures**.
- Assurez-vous que le robot est correctement aligné sur la **station**.
- **POUR METTRE LE ROBOT SOUS TENSION :** Placez le robot sur la station ou appuyez et maintenez enfoncé le bouton **SOCLE** pendant 5 à 7 secondes jusqu'à ce que les indicateurs lumineux s'allument.
- Alignez le robot avec le logo Shark à l'envers, puis faites-le glisser le long de la rampe jusqu'à la base. ***Les temps nécessaires pour la recharge peuvent varier**

CONFIGURATION

ÉTAPE 7 TÉLÉCHARGER L'APPLICATION

Fonctionnalités de l'application SharkClean

- ✓ Cartographie précise du domicile
- ✓ Sélection de la pièce
- ✓ Nettoyage ciblé
- ✓ Zones interdites
- ✓ Planification
- ✓ Nettoyage profond
- ✓ Rappels de maintenance



Recherchez « SharkClean » dans l'app store ou scannez le QR code sur le capot pour télécharger l'application.

IMPOSSIBLE D'ÉTABLIR LA CONNEXION ?



Redémarrer votre téléphone

- Éteignez votre téléphone, patientez quelques minutes, puis rallumez-le et connectez-le au Wi-Fi

Réinitialiser le robot

- Retirez le robot du socle et appuyez sur le bouton DOCK sur le robot pendant 12 secondes. Remettez votre robot en marche en le faisant glisser le long de la rampe sur le socle.

Redémarrer le routeur

- Débranchez le câble d'alimentation du routeur pendant 30 secondes, puis rebranchez-le. Patientez plusieurs minutes, le temps que le routeur se réinitialise complètement.

Des questions ? Quelques étapes simples pour obtenir de l'aide en cas de problème :

Des difficultés pour se connecter au robot ? Pour consulter des vidéos pratiques, des FAQ, des processus de dépannage et des conseils et astuces, rendez-vous sur : sharkclean.fr



Pour obtenir la notice d'utilisation complète, rendez-vous sur : qr.sharkclean.com/RVDetectProEUseries
SCANNEZ CE QR CODE AVEC L'APPAREIL PHOTO DU TÉLÉPHONE

- Pour utiliser l'application, votre téléphone doit être connecté à un réseau 2,4 GHz. L'application ne fonctionnera pas avec un réseau 5 GHz.
- **NE PAS** utiliser de VPN ou de serveur proxy.
- S'assurer que l'isolation Wi-Fi est désactivée sur le routeur.

AVANT LE NETTOYAGE

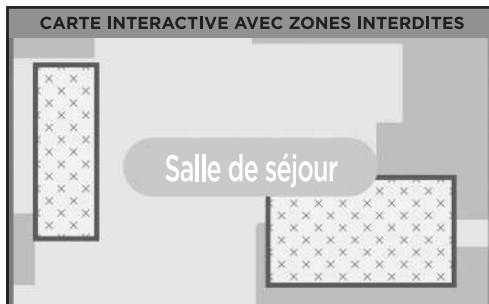
Pour créer une carte de l'intérieur, le robot devra effectuer un cycle d'exploration.

Pour entamer une mission d'exploration, le robot doit avoir une charge de batterie égale ou supérieure à 70 %. Lors du cycle d'exploration, le robot évolue dans votre logement pour créer une carte.

Après ce cycle, il est possible de créer des zones interdites pour les zones du logement que le robot doit éviter lors du nettoyage. Si vous ne souhaitez pas créer de zones interdites, vous pouvez passer cette étape.

Le robot est maintenant prêt à nettoyer.

CARTE INTERACTIVE AVEC ZONES INTERDITES



FILTRE PRÉ-MOTEUR

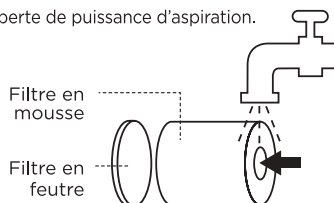
IMPORTANT - Il est recommandé de nettoyer le filtre tous les mois afin d'éviter une perte de puissance d'aspiration.

Rincez et laissez sécher complètement à l'air libre. Si le filtre est sale entre deux lavages, tapotez-le délicatement pour éliminer la saleté. Assurez-vous de laisser le filtre sécher pendant 48 heures avant de le remettre en position.

Les filtres en mousse peuvent paraître sales après usage. Ce phénomène est normal.



NE PAS mettre les mains dans les ouvertures non destinées à un accès utilisateur



CONTRAT DE GARANTIE COMMERCIALE

Lorsqu'un client achète un produit en Europe, il bénéficie des droits légaux relatifs à la qualité du produit (vos droits légaux : garantie légale de conformité de 2 ans à compter de la délivrance et garantie légale des vices cachés de 2 ans à compter de la découverte du vice). Le client peut faire valoir ces droits à l'encontre de son détaillant. Shark a une grande confiance dans la qualité de ses produits et fournit donc une garantie commerciale supplémentaire gratuite pouvant aller jusqu'à deux ans.

Ces conditions contractuelles se réfèrent uniquement à la garantie commerciale et ne portent aucune atteinte à vos droits légaux. Nos conditions de garantie commerciale sont les suivantes. Elles n'affectent en rien vos droits légaux ni les obligations de votre revendeur à votre égard.

Garantie commerciale Shark*

Votre appareil Shark constitue un investissement important. Votre nouvel appareil doit donc fonctionner correctement le plus longtemps possible. La garantie commerciale fournie avec l'appareil reflète la confiance du fabricant dans ses produits et témoigne de leur qualité de fabrication.

Chaque produit Shark* bénéficie de garanties légales (conformité et vices cachés). Notre service client (+33 (800) 908874) est ouvert du lundi au vendredi de 8h à 20h, le samedi de 9h à 19h et le dimanche de 10h à 18h30. L'appel est gratuit et vous serez directement mis en relation avec un représentant Shark. Vous trouverez également une assistance en ligne sur le site sharkclean.eu

Comment puis-je enregistrer ma garantie commerciale Shark ?

Vous pouvez enregistrer votre garantie commerciale en ligne dans un délai de 28 jours après la date d'achat de votre produit. Pour gagner du temps, préparez les informations suivantes à propos de votre appareil :

- Date d'achat de l'appareil (ticket de caisse ou bon de livraison)

Pour l'enregistrer en ligne, rendez-vous sur le site sharkclean.eu. **“Les produits achetés directement auprès de Shark” sont automatiquement enregistrés.”**

IMPORTANT

- La garantie commerciale couvre votre Produit pendant 2 ans à partir de la date d'achat
- Il est indispensable de conserver le justificatif d'achat.

Pour utiliser la garantie commerciale, vous devez présenter votre justificatif d'achat afin que nous puissions vérifier vos droits. L'impossibilité de présenter un justificatif d'achat valable peut annuler la garantie commerciale

Quels sont les avantages de l'enregistrement de ma garantie commerciale gratuite Shark ?

Si vous enregistrez votre garantie commerciale, nous disposons de vos coordonnées au cas où nous aurions besoin de vous contacter.

Vous pourrez également recevoir des conseils et astuces pour vous aider à mieux utiliser votre appareil Shark, et des informations concernant les nouvelles technologies et les nouveaux produits Shark*. Si vous enregistrez votre garantie commerciale en ligne, vous recevrez immédiatement la confirmation de la réception de vos coordonnées.

Quelle est la durée de la garantie commerciale pour les appareils Shark neufs ?

Compte tenu de notre confiance dans notre design et notre contrôle qualité, votre nouvel appareil Shark est garanti pour une durée totale de deux ans à partir de la date d'achat.

Qu'est-ce qui est couvert par la garantie commerciale Shark ?

La réparation ou le remplacement de votre appareil Shark* (à la discrétion de Shark*), y compris les pièces et la main-d'œuvre. Cette garantie Shark* s'ajoute à vos droits légaux en tant que consommateur.

Qu'est-ce qui n'est pas couvert par la garantie commerciale Shark ?

1. L'usure normale des pièces d'usure (comme les accessoires) n'est pas couverte par cette garantie. Les pièces de rechange peuvent être achetées sur le site sharkclean.eu
2. Dommages causés par une utilisation incorrecte ou abusive, une manipulation négligente, un manquement à l'entretien requis ou des dommages dus à une mauvaise manipulation pendant le transport.
3. Dommages causés par une maintenance non autorisée par Shark.

Que se passe-t-il lorsque ma garantie commerciale arrive à échéance ?

Shark conçoit des produits destinés à durer longtemps. Toutefois, il se peut que certains de nos clients souhaitent faire réparer leur appareil après la fin de la garantie commerciale. Dans ce cas, veuillez contacter notre service client et demander des renseignements sur notre programme d'intervention hors garantie commerciale au +33 (800) 908874.

Où puis-je acheter des pièces de rechange et des accessoires d'origine Shark ?

Les pièces de rechange et les accessoires Shark sont développés par les mêmes ingénieurs qui ont conçu votre appareil Shark. Vous trouverez une gamme complète de pièces de rechange et d'accessoires Shark pour tous les appareils Shark sur le site sharkclean.eu

Veuillez noter que la garantie commerciale ne couvre pas les dommages résultant de l'installation ou de l'utilisation de pièces détachées autres que les pièces détachées Shark.

GARANTIES LÉGALES

Cette garantie commerciale s'applique sans préjudice du droit du consommateur de bénéficiaire de la garantie légale de conformité, dans les conditions prévues aux articles L217-3 et suivants du code de la consommation et de celle relative aux vices cachés, dans les conditions prévues aux articles 1641 à 1648 et 2232 du code civil

Le consommateur dispose d'un délai de deux ans à compter de la délivrance du bien pour obtenir la mise en œuvre de la garantie légale de conformité en cas d'apparition d'un défaut de conformité. Durant ce délai, le consommateur n'est tenu d'établir que l'existence du défaut de conformité et non la date d'apparition de celui-ci.

Lorsque le contrat de vente du bien prévoit la fourniture d'un contenu numérique ou d'un service numérique de manière continue pendant une durée supérieure à deux ans, la garantie légale est applicable à ce contenu numérique ou ce service numérique tout au long de la période de fourniture prévue. Durant ce délai, le consommateur n'est tenu d'établir que l'existence du défaut de conformité affectant le contenu numérique ou le service numérique et non la date d'apparition de celui-ci.

La garantie légale de conformité emporte obligation pour le professionnel, le cas échéant, de fournir toutes les mises à jour nécessaires au maintien de la conformité du bien.

La garantie légale de conformité donne au consommateur droit à la réparation ou au remplacement du bien dans un délai de trente jours suivant sa demande, sans frais et sans inconvénient majeur pour lui.

Si le bien est réparé dans le cadre de la garantie légale de conformité, le consommateur bénéficie d'une extension de six mois de la garantie initiale.

Si le consommateur demande la réparation du bien, mais que le vendeur impose le remplacement, la garantie légale de conformité est renouvelée pour une période de deux ans à compter de la date de remplacement du bien.

Le consommateur peut obtenir une réduction du prix d'achat en conservant le bien ou mettre fin au contrat en se faisant rembourser intégralement contre restitution du bien, si :

- 1° Le professionnel refuse de réparer ou de remplacer le bien ;
- 2° La réparation ou le remplacement du bien intervient après un délai de trente jours ;
- 3° La réparation ou le remplacement du bien occasionne un inconvénient majeur pour le consommateur, notamment lorsque le consommateur supporte définitivement les frais de reprise ou d'enlèvement du bien non conforme, ou s'il supporte les frais d'installation du bien réparé ou de remplacement ;
- 4° La non-conformité du bien persiste en dépit de la tentative de mise en conformité du vendeur restée infructueuse.

Le consommateur a également droit à une réduction du prix du bien ou à la résolution du contrat lorsque le défaut de conformité est si grave qu'il justifie que la réduction du prix ou la résolution du contrat soit immédiate. Le consommateur n'est alors pas tenu de demander la réparation ou le remplacement du bien au préalable.

Le consommateur n'a pas droit à la résolution de la vente si le défaut de conformité est mineur.

Toute période d'immobilisation du bien en vue de sa réparation ou de son remplacement suspend la garantie qui restait à courir jusqu'à la délivrance du bien remis en état.

Les droits mentionnés ci-dessus résultent de l'application des articles L. 217-1 à L. 217-32 du code de la consommation.

Le vendeur qui fait obstacle de mauvaise foi à la mise en œuvre de la garantie légale de conformité encourt une amende civile d'un montant maximal de 300 000 euros, qui peut être portée jusqu'à 10 % du chiffre d'affaires moyen annuel (article L. 241-5 du code de la consommation).

Le consommateur bénéficie également de la garantie légale des vices cachés en application des articles 1641 à 1649 du code civil, pendant une durée de deux ans à compter de la découverte du défaut. Cette garantie donne droit à une réduction de prix si le bien est conservé ou à un remboursement intégral contre restitution du bien. »

À LIRE ATTENTIVEMENT ET À CONSERVER POUR CONSULTATION ULTÉRIEURE

Cette notice d'utilisation est conçue pour vous aider à assurer un fonctionnement optimal de votre robot aspirateur Shark.

Les illustrations peuvent être différentes du produit réel. Nous nous efforçons d'améliorer constamment nos produits ; par conséquent, les spécifications contenues dans ce manuel sont susceptibles d'être modifiées sans préavis.

IMPORTANTI ISTRUZIONI DI SICUREZZA

LEGGERE ATTENTAMENTE PRIMA DELL'UTILIZZO • SOLO PER IMPIEGO DOMESTICO

⚠ AVVERTENZA

Per ridurre il rischio di incendio, elettrocuzione, lesioni o danni materiali:

NON LASCIARE BAMBINI O ANIMALI INCUSTODITI NELLE STANZE IN CUI L'ASPIRAPOLVERE ROBOT HA ACCESSO DURANTE LA PULIZIA.

AVVERTENZE RELATIVE AL LASER

QUESTO PRODOTTO È DOTTAO DI UN LASER DI CLASSE 1. STACCARE SEMPRE L'ALIMENTAZIONE PRIMA DI SOLLEVARE IL ROBOT ASPIRAPOLVERE O PRIMA DI SOTTOPORLO A INTERVENTI DI MANUTENZIONE. NON GUARDARE DIRETTAMENTE NEL LASER.

SE LA SPINA DEL CAVO DI RICARICA NON ENTRA PER INTERO NELLA PRESA, CONTATTARE UN ELETTRICISTA QUALIFICATO. NON FORZARE LA SPINA PER FARLA ENTRARE NELLA PRESA ELETTRICA E NON PROVARE A MODIFICARLA PER FAVORIRE L'INSERIMENTO.

AVVERTENZE GENERALI


Quando si utilizza un elettrodomestico, osservare sempre le precauzioni di base, tra cui:

1. L'apparecchio è composto da un robot aspirapolvere e da una base di ricarica con alimentatore. Tali componenti contengono collegamenti elettrici, cavi elettrici e parti mobili che possono comportare rischi per l'utente.
2. Prima di ogni utilizzo, controllare tutte le parti per individuare eventuali danni. In caso di danneggiamento di una delle parti, sospendere l'utilizzo.
3. Utilizzare solo pezzi di ricambio originali.
4. Questo robot aspirapolvere non contiene componenti riparabili.
5. Utilizzare solo come descritto nel presente manuale. NON utilizzare il robot aspirapolvere per scopi diversi da quelli descritti nel presente manuale.
6. Ad eccezione di alcuni filtri e del contenitore raccogli-polvere, NON esporre alcuna parte del robot aspirapolvere ad acqua o altri liquidi.
7. **NON inserire le mani in nessuna delle aperture della base o del robot.**

AVVERTENZE PER L'USO

8. Questo prodotto ha un laser di classe 1. Staccare sempre l'alimentazione prima di sollevare il robot aspirapolvere o prima di sottoporlo a interventi di manutenzione.
9. **NON guardare direttamente nel laser.**
10. Spegnerne sempre il robot aspirapolvere prima di inserire o rimuovere il filtro o il contenitore raccogli-polvere.
11. **NON toccare la spina, la base di ricarica, il cavo di ricarica o il robot aspirapolvere con le mani bagnate.** La manutenzione e la pulizia a carico dell'utente non devono essere effettuate da bambini senza la supervisione di un adulto
12. **NON** permettere ai bambini di usare l'elettrodomestico come un giocattolo.
13. Questo elettrodomestico può essere utilizzato da bambini di età non inferiore a 8 anni e da persone con capacità fisiche, sensoriali o mentali ridotte o prive di esperienza e conoscenze solo sotto supervisione oppure dopo aver ricevuto istruzioni adeguate sull'uso dell'apparecchio, sulla sicurezza e sui possibili pericoli.

14. **NON** utilizzare il robot senza aver inserito il contenitore raccogli-polvere e il filtro.
15. **NON** danneggiare il cavo di ricarica:
 - a) **NON** tirare o trasportare la base di ricarica tramite il cavo o utilizzare il cavo come impugnatura.
 - b) **NON** scollegare il cavo tirandolo. Staccare afferrando la spina, non il cavo.
 - c) **NON** far passare il cavo sotto una porta, non tenderlo facendolo passare attorno agli spigoli vivi né lasciarlo vicino a superfici calde.
 - d) Non è possibile sostituire il cavo di alimentazione. Se il cavo è danneggiato, l'apparecchio deve essere smaltito.
16. **NON** inserire alcun oggetto nella bocchetta o nelle aperture degli accessori. **NON** utilizzare se vi sono delle aperture ostruite; tenere le aperture libere da polvere, pelucchi, capelli e qualsiasi cosa che possa ridurre il flusso d'aria.
17. **NON** utilizzare se il flusso d'aria del robot aspirapolvere è ridotto. Se i passaggi dell'aria sono ostruiti, spegnere l'aspirapolvere e rimuovere tutte le ostruzioni prima di accenderlo nuovamente.
18. Tenere la bocchetta e tutte le aperture lontano da capelli, viso, dita, piedi scalzi o indumenti larghi.
19. **NON** utilizzare il robot aspirapolvere se non funziona correttamente, è caduto, presenta danni, è rimasto all'aperto o è caduto in acqua.
20. **NON** collocare l'aspirapolvere su superfici instabili.
21. **NON** utilizzare per aspirare:
 - a) Liquidi.
 - b) Oggetti di grandi dimensioni.
 - c) Oggetti duri o appuntiti (vetro, chiodi, viti o monete).
 - d) Quantità consistenti di polvere (polvere di gesso, cenere di camino o braci).
 - e) NON utilizzare come accessorio per alimentare strumenti per la raccolta della polvere.
 - f) Oggetti fumanti o che bruciano (carboni ardenti, mozziconi di sigaretta o fiammiferi).
 - g) Materiali infiammabili o combustibili (liquidi per accendini, benzina o cherosene).
 - h) Sostanze tossiche (candeggina, ammoniaca o liquido disgorgante).
 - i) Sostanze tossiche (elevate concentrazioni di candeggina liquida, elevate concentrazioni di ammoniaca o soluzione disgorgante).

22. **NON** utilizzare nelle seguenti aree:
- Superfici bagnate o umide
 - Aree esterne in prossimità di focolari con accesso privo di ostacoli
 - Spazi chiusi che potrebbero contenere esplosivi oppure fumi o vapori tossici (liquidi per accendini, benzina, cherosene, vernici, diluenti, prodotti antitarma o polveri infiammabili)
 - In aree con stufette elettriche
 - In prossimità di focolari con accesso privo di ostacoli.
23. Spegnerne il robot aspirapolvere prima di qualsiasi intervento di regolazione, pulizia, manutenzione o risoluzione dei problemi. Nota: quando è in posizione OFF (Spento), il robot consuma comunque una piccola quantità di energia.
24. Per prevenire il versamento di liquidi all'interno delle parti elettriche, lasciare asciugare completamente tutti i filtri all'aria prima di installarli di nuovo.
25. **NON** modificare o provare a riparare da soli il robot aspirapolvere o la batteria, salvo se indicato nel presente manuale. **NON** utilizzare l'aspirapolvere se è stato modificato o danneggiato.
26.  Tenere sempre le dita lontano dalle ruote e dal sistema di sospensione mentre il robot è acceso.
27. **NON** utilizzare detersivi per la pulizia della casa (detersivi multiuso, prodotti per la pulizia dei vetri, candeggina) su nessuna delle superfici lucide della stazione di ricarica o dell'aspirapolvere robot, poiché contengono delle sostanze chimiche che possono danneggiare tali superfici. Utilizzare invece un panno inumidito con acqua per una pulizia delicata.
28. Per ridurre al minimo il rischio che il robot superi un limite non sicuro (spigoli di scale o dislivelli, caminetti, rischio di presenza dell'acqua), impostare queste aree come "zone ad accesso vietato" usando la funzionalità di mappatura nell'app mobile SharkClean. Al momento di impostare il limite, attivare l'aspirapolvere e accertarsi visivamente che le impostazioni impediscano effettivamente al robot di superare il limite stabilito. Regolare le impostazioni in modo adeguato alle proprie esigenze. Per utenti senza app: utilizzare una delimitazione per bloccare i limiti non sicuri.

USO DELLA BATTERIA

29. La batteria è la fonte di alimentazione dell'aspirapolvere. Leggere e seguire con cura tutte le istruzioni per la ricarica.
30. Per prevenirne l'accensione involontaria, assicurarsi che l'aspirapolvere sia spento prima di sollevarlo o trasportarlo.
31. Utilizzare solo la base di ricarica SHARK e la batteria RVBAT85002 (33V), RVBAT850 (MH1) o RVBAT850 (26V), come descritto nella tabella di seguito. L'uso di batterie o di caricabatterie diversi da quelli indicati può creare un rischio d'incendio.
32. Tenere la batteria lontano da oggetti metallici come graffette, monete, chiavi, chiodi o viti. Il cortocircuito tra i morsetti della batteria aumenta il rischio di incendi o ustioni.
33. Un uso improprio della batteria può causare la fuoriuscita dei liquidi interni. Evitare ogni contatto con il liquido in quanto questo può causare irritazione o ustioni. In caso di contatto, risciacquare con acqua. In caso di contatto con gli occhi, consultare un medico.
33. Il robot aspirapolvere non deve essere conservato, caricato o utilizzato a temperature inferiori a 10 °C o superiori a 40 °C. Prima della ricarica o dell'uso, verificare che la batteria e l'aspirapolvere abbiano raggiunto la temperatura ambiente. L'esposizione del robot o della batteria a temperature che non rientrano in questo intervallo potrebbe danneggiare la batteria e aumentare il rischio di incendio.
35. **NON** esporre il robot aspirapolvere o la batteria al fuoco o a temperature superiori a 130 °C in quanto potrebbe esplodere.

Unità	Batteria
SKU	RVBAT85002 (33V) RVBAT850 (MH1), or RVBAT850 (26V).

Unità	Base
SKU	XDRV2800WDEU XD0CK2800WDEU

CONSERVARE QUESTE ISTRUZIONI

Per rimanere informati su avvertenze e precauzioni, visitare il sito
www.sharkclean.com/robothelp

Accertarsi di aver letto il Manuale d'uso Shark® online prima di utilizzare il robot.

Shark **POWERDETECT** **GUIDA RAPIDA**

SCARICA L'APP SHARKCLEAN



Scansiona il codice QR con la fotocamera dello smartphone per trovare e scaricare rapidamente l'app

CONTRATTO DI LICENZA CON L'UTENTE FINALE PER IL SOFTWARE SHARKNINJA

[Sharkclean.it/EULA](https://sharkclean.it/EULA)

sharkclean.eu

COME USARE AL MEGLIO IL ROBOT

Per un corretto utilizzo del robot aspirapolvere, scaricare l'app SharkClean e attenersi ai seguenti consigli.

PREPARAZIONE DELLA CASA



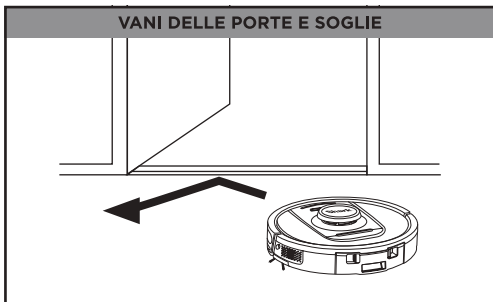
Il robot è in grado di evitare i cavi; tuttavia, per una pulizia e una copertura ottimali, rimuovere eventuali cavi e oggetti di altezza inferiore a 11,5 cm dai pavimenti. Aprire le porte interne per garantire la copertura completa della casa.

PROGRAMMAZIONE E MAPPA INTERATTIVA



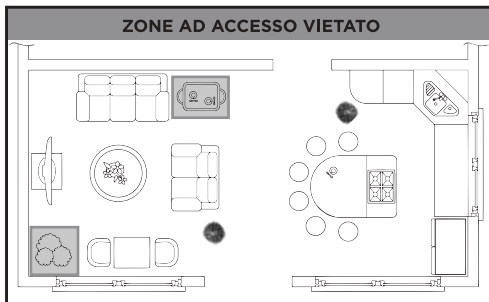
- Per uno stato di pulizia costante, impostare un programma di lavaggio per l'intera casa nell'app.
- Utilizzare la mappa interattiva della casa per una pulizia ancora più personalizzata.

VANI DELLE PORTE E SOGLIE



Il robot è in grado di scavalcare facilmente la maggior parte delle soglie; tuttavia, se una soglia è più alta di 2,5 cm, impostare una zona ad accesso vietato nell'app per bloccare l'accesso.

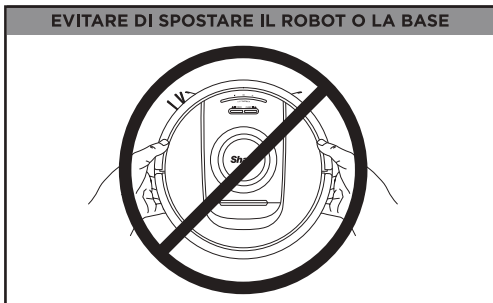
ZONE AD ACCESSO VIETATO



Creare zone ad accesso vietato nell'app per impedire al robot di raggiungere determinate aree:

- Vicino a cavi di alimentazione o ai caricatori del telefono.
- Di fronte a soglie alte.

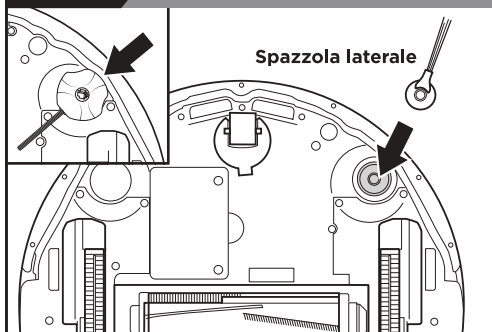
EVITARE DI SPOSTARE IL ROBOT O LA BASE



Mentre il robot sta pulendo, non sollevarlo per spostarlo, né spostare la base autosvuotante. Questo potrebbe incidere sulla capacità del robot di mappare la casa.

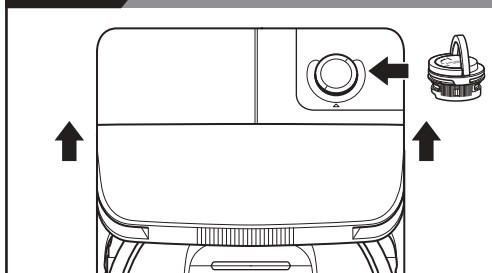
CONFIGURAZIONE

PASSAGGIO 1 PREPARAZIONE DEL ROBOT



- Rimuovere la pellicola protettiva da robot e base.
- Installare le spazzole laterali.
- Il design della spazzola laterale può variare. Alcuni modelli includono una spazzola di ricambio

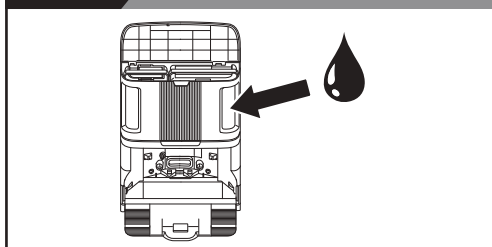
PASSAGGIO 3 INSERIMENTO DEL GRUPPO CARTUCCIA ANTI-ODORE



1. Inserire il gruppo cartuccia nella parte superiore della base.
2. Ruotare la cartuccia fino a farla scattare in posizione.

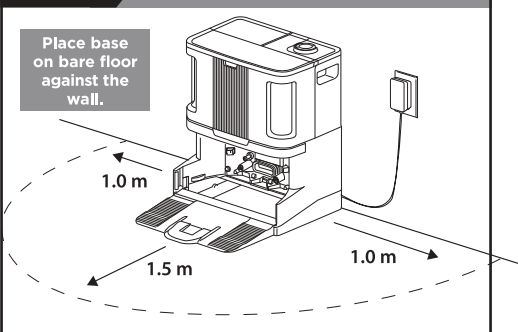
Nota: accertarsi che il gruppo cartuccia anti-odore sia installato nella base prima di usare il robot.

PASSAGGIO 5 RIEMPIMENTO DEL SERBATOIO DELL'ACQUA PULITAPULITA



- Sollevare il coperchio dalla metà anteriore superiore della base. Rimuovere il serbatoio dell'acqua pulita sul lato destro.
- Riempire il serbatoio con acqua a temperatura ambiente fino alla linea di riempimento massimo (MAX FILL), quindi reinstallarlo.

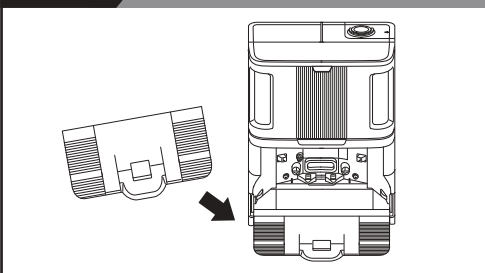
PASSAGGIO 2 PREPARAZIONE DEL ROBOT



- Trovare una collocazione permanente per la base in un'area centrale con un buon segnale Wi-Fi.
- Rimuovere tutti gli oggetti che si trovano a più di 1 m di distanza da entrambi i lati della base o a più di 1,5 m dal bordo.
- Collegare la base.

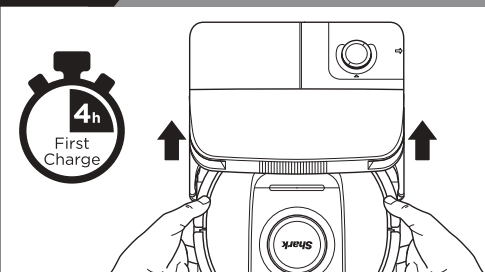
*Assicurarsi di collocare la base lontano dalla luce diretta del sole.

PASSAGGIO 4 INSTALLAZIONE DELLA RAMPA SULLA BASE



- Allineare l'estremità piatta della rampa con la base e inserire la rampa nella base.
- Sollevare la rampa leggermente sopra la base, allinearla e premere finché non scatta in posizione.

PASSAGGIO 6 RICARICARE IL ROBOT



- Posizionare il robot sulla base per caricarlo per **4 ore**.
- Assicurarsi che il robot sia allineato correttamente alla **base**.
- **ACCENSIONE DEL ROBOT:** Posizionare il robot sulla base o tenere premuto il pulsante **BASE** (Pulizia) per 5-7 secondi fino all'accensione delle spie luminose.
- Allineare il robot al logo Shark capovolto, quindi spingerlo sulla rampa fin sopra la base.

*I tempi di ricarica possono variare

CONFIGURAZIONE

PASSAGGIO 7 ▶ SCARICARE L'APP

Funzionalità dell'app SharkClean

- ✓ Mappatura accurata della casa
- ✓ Selezione delle stanze
- ✓ Pulizia in zone mirate
- ✓ Zone ad accesso vietato
- ✓ Programmazione
- ✓ Pulizia profonda
- ✓ Promemoria per la manutenzione



Cerca "SharkClean" nell'App Store o scansiona il codice QR sulla copertina per scaricare l'app.

IMPOSSIBILE CONNETTERSI AL WI-FI?



Riavviare lo smartphone

- Spegnere lo smartphone, attendere qualche minuto, riaccenderlo e connetterlo al Wi-Fi.

Riavviare il robot

- Rimuovere il robot dalla base e tenere premuto il pulsante DOCK (BASE) sul robot per 12 secondi. Riaccendere il robot spingendolo sulla rampa fin sopra la base.

Riavviare il router

- Scollegare il cavo di alimentazione del router per 30 secondi, dopodiché ricollegarlo. Attendere diversi minuti, in modo che il router si riavvii completamente.

Domande? Soluzioni in caso di problemi:

Hai difficoltà a connetterti al robot?

Per video tutorial, domande frequenti, risoluzione dei problemi e consigli visita il sito sharkclean.it.



Per il Manuale d'uso completo visita: qr.sharkclean.com/RVDetectProEuseries
SCANSIONA QUI CON LA FOTOCAMERA DEL TUO SMARTPHONE

- Per utilizzare l'app, lo smartphone deve essere connesso a una rete da 2,4 GHz. L'app non è in grado di funzionare con una rete da 5 GHz.
- **NON** utilizzare una VPN o un server proxy.
- Verificare che l'isolamento Wi-Fi sia disattivato sul router.

PRIMA DI PULIRE

Per creare una mappa della casa il robot dovrà prima completare un ciclo di esplorazione.

Per iniziare una sessione di esplorazione, la batteria del robot deve avere una carica pari almeno al 70%.

Impostando Explore Run (Esplora casa), il robot esplorerà la casa creando una mappa.

Dopo l'esplorazione, si potranno creare le zone ad accesso vietato nelle aree della casa che il robot dovrà evitare durante la pulizia. Se non si desidera impostare le zone ad accesso vietato, è possibile saltare questo passaggio.

Ora è tutto pronto per il lavaggio.



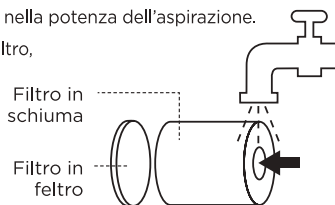
FILTRO PRE MOTORE

IMPORTANTE: pulire il filtro ogni mese per evitare un'eventuale diminuzione nella potenza dell'aspirazione.

Sciacquare e lasciare asciugare completamente all'aria. Inoltre, tra un lavaggio e l'altro, picchiare sul filtro per rimuovere la sporcizia attaccata. Il filtro deve essere lasciato ad asciugare per 48 ore prima di essere reinstallato.

I filtri in schiuma possono sembrare sporchi dopo l'uso; questo è normale.

NON inserire le mani in nessuna apertura non indicata espressamente per l'accesso dell'utente



GARANZIA LIMITATA DI DUE (2) ANNI RV2800ZEEU

Quando un consumatore acquista un prodotto nell'Unione Europea, beneficia di una serie di diritti legali relativi alla qualità del prodotto (i diritti di legge del cliente). Il cliente può far valere questi diritti nei confronti del proprio rivenditore. Tuttavia, Shark® ripone una tale fiducia nella qualità dei propri prodotti da offrire al cliente una garanzia del produttore supplementare della durata di due anni. Questi termini e condizioni riguardano esclusivamente la garanzia del produttore, lasciando inalterati i diritti di legge del cliente.

Le condizioni che seguono descrivono i prerequisiti e il campo di applicazione della nostra garanzia. Non alterano in alcun modo i diritti di legge o gli obblighi di legge del rivenditore né il contratto del cliente con lo stesso.

Garanzie Shark®

Ventilatore Shark è un vero investimento. Shark deve funzionare correttamente per il maggior tempo possibile. La garanzia di cui è provvisto è un fattore importante e riflette il grado di fiducia che il produttore ha nella qualità del proprio prodotto e del processo di produzione.

Ogni apparecchio Shark è provvisto di una garanzia gratuita relativa a ricambi e manodopera. La nostra linea diretta di assistenza clienti (**800 961655**) è attiva dalle ore 09:00 alle ore 18:00, dal lunedì al venerdì. La telefonata è gratuita e il cliente verrà messo direttamente in contatto con un rappresentante di Shark. È anche possibile ricevere assistenza online visitando il sito sharkclean.eu

Come devo fare per registrare la mia garanzia estesa Shark?

È possibile registrare la propria garanzia online entro 28 giorni dall'acquisto. Per farti risparmiare tempo, ricorda di tenere a portata di mano le seguenti informazioni relative Shark:

- Data di acquisto Shark (scontrino fiscale o bolla di consegna).

Per effettuare la registrazione online, visita il sito sharkclean.eu

IMPORTANTE

- La Garanzia convenzionale copre il Prodotto per 2 anni a partire dalla data di acquisto.
- Ti chiediamo di conservare sempre il relativo scontrino fiscale. Qualora dovessi far valere la Garanzia convenzionale, avremo bisogno dello scontrino fiscale per verificare che le informazioni che ci hai fornito siano corrette. Qualora tu non sia in grado di fornirci uno scontrino fiscale valido, la garanzia non sarà valida.

Quali sono i vantaggi offerti dalla registrazione della garanzia gratuita Shark?

Quando il cliente registra la garanzia, l'azienda avrà i suoi dati qualora sia necessario contattarlo.

L'utente potrà inoltre ricevere suggerimenti e consigli su come sfruttare tutte le potenzialità ventilatore Shark e conoscere le ultime notizie sulle nuove tecnologie e i lanci di nuovi prodotti Shark®. Registrando la garanzia online, l'utente riceverà una conferma immediata della ricezione dei dati.

Per quanto tempo sono garantiti gli apparecchi Shark nuovi?

La nostra fiducia nel design e nella qualità significa che il tuo nuovo ventilatore Shark è garantito per un totale di due anni.

Che cosa copre la garanzia gratuita Shark?

La riparazione o la sostituzione dell'apparecchio Shark (a discrezione di Shark), inclusi tutti i ricambi e la manodopera. La garanzia Shark va ad aggiungersi ai diritti legali dell'utente come consumatore.

Che cosa non copre la garanzia gratuita Shark?

1. La presente garanzia non copre la normale usura e rottura delle parti soggette a usura (ad esempio gli accessori). Le parti di ricambio possono essere acquistate sul sito sharkclean.eu
2. Danni causati da uso non conforme, improprio, negligente nonché da una mancata manutenzione o danni causati da una manipolazione scorretta durante il trasporto.
3. Danni causati da manutenzione non autorizzata Shark.

Dove è possibile acquistare ricambi e accessori originali Shark?

I ricambi e gli accessori Shark sono progettati dagli stessi ingegneri che hanno sviluppato ventilatore Shark. È possibile trovare una gamma completa di parti di ricambio, componenti sostitutivi e accessori Shark per tutti gli apparecchi Shark sul sito sharkclean.eu

Si ricorda che i danni causati dall'uso di parti di ricambio non originali Shark potrebbero non essere coperti dalla garanzia.

SI PREGA DI LEGGERE ATTENTAMENTE IL MANUALE D'USO E DI CONSERVARLO PER FARVI RIFERIMENTO IN FUTURO

Le presenti istruzioni hanno lo scopo di consentire al robot Shark di funzionare al massimo delle sue prestazioni.

SharkNinja Europe Ltd,

1st/2nd Floor Building 3150,
Thorpe Park,
Century Way,
Leeds, Inghilterra,
LS15 8ZB

SharkNinja Germany GmbH,

Rotfeder-Ring 9,
60327 Francoforte sul Meno, Germania
sharkclean.it

Il prodotto illustrato potrebbe differire dal prodotto effettivo. Shark si impegna costantemente a migliorare i propri prodotti, pertanto le specifiche descritte nel presente documento possono essere soggette a modifica senza preavviso.

BELANGRIJKE VEILIGHEIDSLINSTRUCTIES

AANDACHTIG LEZEN VOOR GEBRUIK • UITSLUITEND VOOR HUISHOUDELIJK GEBRUIK

WAARSCHUWING

om het risico op brand, elektrische schokken, letsel of materiële schade te beperken:

KINDEREN OF DIEREN DIENEN NIET ZONDER TOEZICHT ACHTERGELATEN TE WORDEN IN RUIMTES WAAR DE ROBOTSTOFZUIGER TIJDENS HET SCHOONMAKEN TOEGANG TOE HEEFT.

LASERWAARSCHUWING

DIT PRODUCT HEEFT EEN KLASSE 1 LASER. ZET ALTIJD DE STROOM UIT VOORDAT U DE ROBOTSTOFZUIGER OPTILT OF ER ONDERHOUD AAN PLEEGT. KIJK NIET DIRECT IN DE LASER.

ALS DE STEKKER VAN DE LAADKABEL NIET VOLLEDIG IN HET STOPCONTACT PAST, NEEM DAN CONTACT OP MET EEN GEKWALIFICEERDE ELEKTRICIEN. PROBEER HEM NOOIT IN HET STOPCONTACT TE DRUKKEN OF HEM PASSEND TE MAKEN.

ALGEMENE WAARSCHUWINGEN

Als u een elektrisch apparaat gebruikt, dient u altijd de standaard veiligheidsvoorschriften in acht te nemen, waaronder het volgende:

1. Dit apparaat bestaat uit een robotvloerreiniger/stofzuiger en een laadstation met stroomvoorziening. Deze onderdelen bevatten elektrische verbindingen, elektrische bedrading en bewegende delen die een risico voor de gebruiker kunnen vormen.
2. Controleer vóór elk gebruik zorgvuldig alle onderdelen op eventuele schade. Als een onderdeel beschadigd is, stop dan met gebruiken.
3. Gebruik alleen identieke vervangende onderdelen.
4. Deze robotvloerreiniger heeft geen onderdelen die onderhoud nodig hebben.
5. Gebruik het apparaat alleen zoals beschreven in deze handleiding. Gebruik de robotvloerreiniger NIET voor andere doeleinden dan die beschreven in deze handleiding.
6. Stel GEEN onderdelen van de stofzuiger bloot aan water of andere vloeistoffen, met uitzondering van een aantal filters en de stofbak.
7. **Steek uw handen NIET in een opening in het station of de robot.**

Waarschuwingen VOOR GEBRUIK

8. Dit product heeft een klasse 1 laser. Zet altijd de stroom uit voordat u de robotstofzuiger optilt of er onderhoud aan pleegt.
9. Kijk **NIET** direct in de laser.
10. Zet de stofzuiger altijd uit voordat u de filter of stofbak plaatst of verwijdert.
11. **Raak de stekker, het oplaadstation, de oplaadkabel of de robotvloerreiniger NOOIT** aan met natte handen. Schoonmaken en onderhouden dient niet door kinderen te worden uitgevoerd zonder supervisie
12. Kinderen mogen **NIET** met dit apparaat spelen.
13. Dit apparaat kan worden gebruikt door kinderen met een leeftijd vanaf 8 jaar en door personen met beperkte fysieke, zintuiglijke of verstandelijke vermogens of gebrek aan ervaring en kennis, mits deze personen het apparaat onder toezicht gebruiken of instructies hebben gekregen over het veilig gebruiken van het apparaat en zij begrijpen welke gevaren er mee gepaard gaan.

14. **Gebruik de robot NIET** als de stofbak en het filter niet op hun plek zitten.
15. **Beschadig het oplaadsnoer NIET:**
 - a) Trek **NIET** aan het oplaadstation, til het NIET op bij het snoer en gebruik het snoer niet als handvat.
 - b) Haal het snoer **NIET** uit het stopcontact door eraan te trekken. Houd het apparaat aan de stekker vast, niet aan het snoer.
 - c) Sluit **GEEN** deuren als het snoer ertussen zit, haal het snoer NIET langs scherpe hoeken, en laat het snoer NIET liggen in de buurt van hete oppervlakken.
 - d) De voedingskabel kan niet worden vervangen. Als het snoer beschadigd is, moet het toestel worden weggegooid.
16. **Plaats GEEN** voorwerpen in de openingen van de zuigmond of de accessoires. Gebruik het apparaat **NIET** als een opening verstopt is; houd vrij van stof, pluïsjes, haar en alles wat de luchtstroom kan verminderen.
17. Gebruik het apparaat **NIET** als de luchtstroom van de robotvloerreiniger is geblokkeerd. Als de luchtstroom geblokkeerd raakt, zet de stofzuiger dan uit en verwijder alle obstakels voordat u hem weer aanzet.
18. Houd het mondstuk en alle openingen van de stofzuiger uit de buurt van haar, gezicht, vingers, blote voeten of losse kleding.
19. Gebruik het apparaat **NIET** als de robotvloerreiniger niet naar behoren werkt, gevallen of beschadigd is, buiten heeft gestaan of in het water is terechtgekomen.
20. Zet de stofzuiger **NIET** op instabiele oppervlakken.
21. Gebruik **NIET** om het volgende op te zuigen:
 - a) Vloeistoffen.
 - b) Grote voorwerpen.
 - c) Harde of scherpe voorwerpen (glas, nagels, schroeven of muntjes).
 - d) Grote hoeveelheden stof (stof uit muren, as van een openhaard, of sintels.)
 - e) Gebruik NIET als hulpstuk voor elektrisch gereedschap om stof te verzamelen.
 - f) Rokende of brandende voorwerpen (hete kolen, sigaretten of lucifers).
 - g) Ontvlambare of ontbrandbare materialen (aanstekervloeistof, benzine, of kerosine).
 - h) Giftige materialen (chloorbleekwater, ammoniak, of reinigingsmiddel afvoer).

- i) Giftige materialen (hoge concentratie bleekmiddel, hoge concentratie ammoniak of reinigingsmiddel afvoer).
- 22. Gebruik NIET** op de volgende plekken:
- Natte of vochtige oppervlakken
 - Buitenruimtes in de buurt van een open haard met ongehinderde toegang
 - Gesloten ruimtes die mogelijk explosieve of giftige rook of damp (vloeistof voor aanstekers, benzine, kerosine, verf, verfverduunners, motwerende substanties, of ontvlambaar stof) bevatten
 - Op een plek waar een verwarmingsapparaat is
 - Vlak bij openhaarden met ongehinderde toegang.
- 23.** Schakel de robotvloerreiniger uit voordat u een aanpassing maakt, hem schoonmaakt, onderhoudt of problemen oplost. Opmerking: in de UIT (O)-positie gebruikt de robot nog steeds een kleine hoeveelheid energie.
- 24.** Laat alle filters drogen voordat u ze terugplaatst, om te voorkomen dat er vloeistof in de elektrische onderdelen terechtkomt.
- 25.** Pas de robotstofzuiger en batterij **NIET** aan en probeer die **NIET** te repareren, anders dan zoals aangegeven in deze handleiding. Gebruik de stofzuiger **NIET** als hij is aangepast of beschadigd.
- 26.**  Houd uw vingers altijd uit de buurt van de wielen en de wielophanging terwijl de robot is ingeschakeld.
- 27. Gebruik GEEN** huishoudelijke schoonmaakmiddelen (allesreinigers, glasreinigers, bleek) op een van de gepolijste glanzende oppervlakken van het oplaadstation of de robotstofzuiger, omdat dit chemische middelen zijn die deze oppervlakken kunnen beschadigen. Gebruik in plaats daarvan een doek met water om zachtjes te reinigen.
- 28.** Kies no-go zones met de functie voor in kaart brengen in de SharkClean mobiele app om te voorkomen dat de robot een onveilige grens overschrijdt (randen van trappen of afgronden, open haarden, water). Na het instellen van de grens start u de stofzuiger en controleert u visueel of de instellingen effectief voorkomen dat de robot de ingestelde grens overschrijdt. Pas de instellingen indien nodig aan. Als u geen app hebt, kunt u een barrière maken om een onveilige plek te blokkeren.

BATTERIJGEBRUIK

- 29.** De batterij is de voedingsbron van de stofzuiger. Lees alle oplaadinstructies goed door en volg ze zorgvuldig op.
- 30.** Om onbedoeld starten te voorkomen, moet u ervoor zorgen dat de stofzuiger is uitgeschakeld voordat u hem oppakt of draagt.
- 31.** Gebruik **alleen** het SHARK-oplaadstation en de batterij die in de onderstaande tabel worden beschreven en gebruik **alleen** batterij RVBAT85002 (33V) RVBAT850 (MH1) of RVBAT850 (26V). Gebruik van andere batterijen of batterijopladers dan aangegeven kan brandgevaar veroorzaken.
- 32.** Houd de batterij uit de buurt van alle metalen voorwerpen, zoals paperclips, munten, sleutels, spijkers of schroeven. Kortsluiting tussen de batterijcontacten verhoogt het risico op brand of brandwonden.
- 33.** Bij verkeerd gebruik kan er vloeistof uit de batterij lopen. Voorkom contact met de vloeistof, want deze kan irritatie of brandwonden veroorzaken. Bij contact, met water afspoelen. Bij contact met de ogen direct medische hulp zoeken.
- 34.** De robotstofzuiger dient niet opgeborgen, opgeladen of gebruikt te worden bij temperaturen onder de 10 °C of boven de 40 °C. Zorg dat de batterij en stofzuiger op kamertemperatuur zijn vóór het opladen of gebruiken. De robot of batterij blootstellen aan temperaturen buiten dit gespecificeerde bereik kan schade aan de batterij veroorzaken en het risico op brand verhogen.
- 35.** Stel de robotvloerreiniger en batterij **NIET** bloot aan vuur of temperaturen boven 130 °C, omdat dit een explosie kan veroorzaken.

Eenheid	Batterij
SKU	RVBAT85002 (33V) RVBAT850 (MH1), or RVBAT850 (26V).

Eenheid	Station
SKU	XDRV2800WDEU XD0CK2800WDEU

BEWAAR DEZE HANDLEIDING

Ga voor de meest recente waarschuwingen naar www.sharkclean.eu/robothelp

Lees de online Shark®-handleiding voordat u uw robot gebruikt.

Shark **POWERDETECT** **SNELSTARTGIDS**

DOWNLOAD DE SHARKCLEAN-APP



Scan de QR-code met
de camera van uw telefoon om de
app snel te vinden en te downloaden

LICENTIE-OVEREENKOMST EINDGEBRUIKER VOOR SHARKNINJA SOFTWARE

www.sharkclean.eu/EULA

sharkclean.eu

HAAL ZO VEEL MOGELIJK UIT UW ROBOT

Om de beste ervaring te hebben, downloadt u de SharkClean app en volgt u de onderstaande tips.

BEREID UW HUIS VOOR



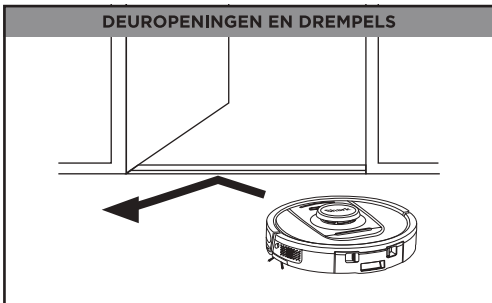
Uw Power Detect-robot vermijdt snoeren, maar voor een optimaal bereik en de beste reiniging verwijdert u snoeren en voorwerpen die kleiner zijn dan 11,5 cm van de vloer. Open de binnendeuren om te garanderen dat er een goede kaart van uw huis kan worden gemaakt.

PLAN EEN INTERACTIEVE PLATTEGROND



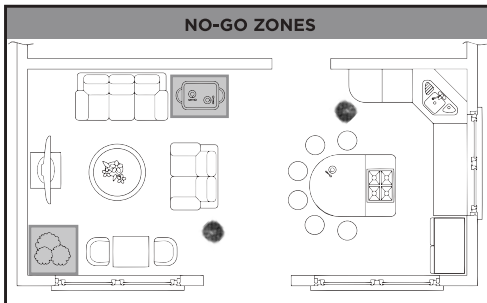
- Stel een reinigingsschema in voor het hele huis zodat het altijd schoon is.
- Gebruik de interactieve thuiskaart voor een nog persoonlijkere schoonmaak.

DEUROPENINGEN EN DREMPELS



Uw robot kan gemakkelijk over de meeste drempels klimmen, maar als er één hoger is dan 2,5 cm, stel dan een no-go zone in de app in om deze af te sluiten.

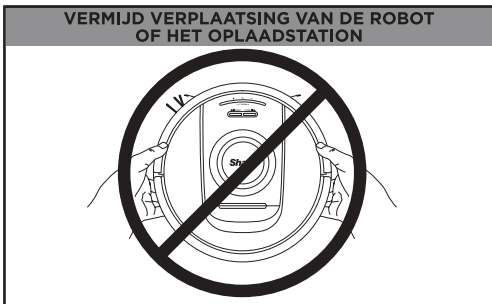
NO-GO ZONES



Creëer verboden zones in de app, zodat uw robot weet waar die niet mag komen:

- In de buurt van stroomkabels of telefoonopladers.
- Bij hoge drempels.

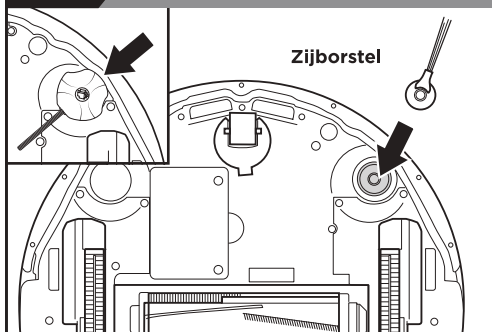
VERMIJD VERPLAATSG VAN DE ROBOT OF HET OPLAADSTATION



Terwijl uw robot aan het schoonmaken is, mag u hem niet oppakken en verplaatsen, of de zelflegende basis verplaatsen. Dit heeft invloed op het vermogen van de robot om uw huis in kaart te brengen.

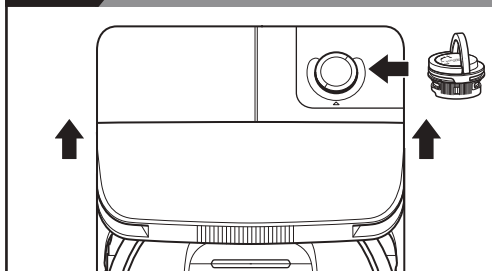
CONFIGURAZIONE

STAP 1 BEREID DE ROBOT VOOR



- Verwijder de beschermfolie van de robot en het station.
- Bevestig de zijborstel.
- Het ontwerp van de zijborstel kan variëren. Sommige modellen bevatten een reserveonderdeel.

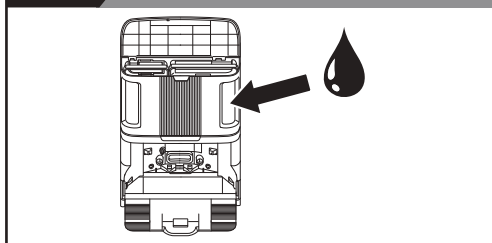
STAP 3 DE GEURNEUTRALISATOR INSTALLEREN



1. Plaats de cartridge in de bovenkant van de basis.
2. Draai het patroon totdat het vastklikt.

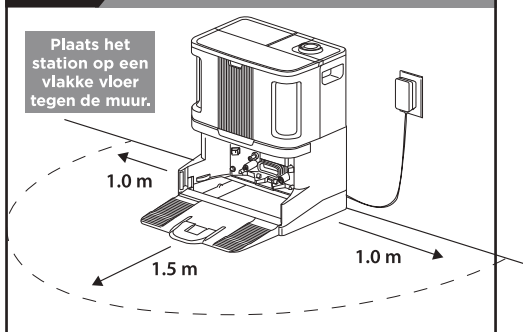
Opmerking: Zorg ervoor dat de geurpatroonassemblage geïnstalleerd is in de basis voordat u de reiniger gebruikt.

STAP 5 VUL DE SCHOONWATERTANK



- Til het deksel op de bovenste voorste helft van de basis op. Verwijder de schoonwatertank aan de rechterkant.
- Vul het reservoir met water op kamertemperatuur tot aan de MAX-vulstreep en plaats het reservoir terug.

STAP 2 HET ZELFLEGENDE STATION OPZETTEN

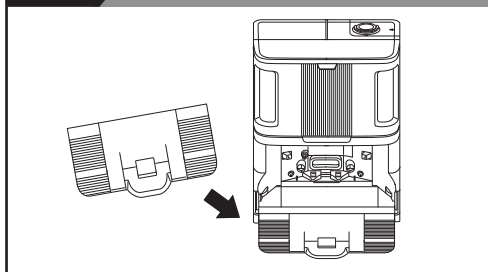


Plaats het station op een vlakke vloer tegen de muur.

- Kies een **vaste** locatie voor het station, zoals hierboven afgebeeld, in een centrale ruimte met een **sterk wifi-sigitaal**.
- Verwijder objecten die dichterbij dan 1 meter zijn aan beide kanten van het station, of dichterbij dan 1,5 m vanaf de voorkant van het station.
- Steek de stekker van het station in het stopcontact.

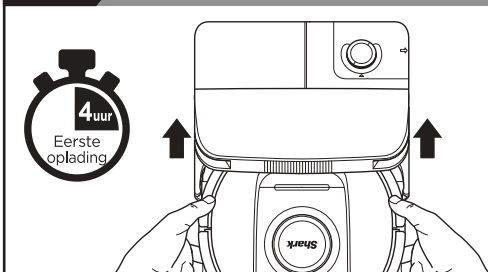
*Zorg ervoor dat de basis niet in direct zonlicht staat.

STAP 4 INSTALLEER DE OPRIJPLAAT OP DE BASIS



- Lijn het platte uiteinde van de oprijplaat uit met de basis en steek de oprijplaat in de basis.
- Til de oprijplaat iets boven de basis, lijn hem uit en druk hem naar beneden totdat de oprijplaat op zijn plaats klikt.

STAP 6 UW ROBOT OPLADEN



- Zet de robot op het station om **4 uur** op te laden.
- Zorg dat de robot op de juiste manier is uitgelijnd op het **station**.
- **DE ROBOT AANZETTEN:** Zet de robot op het station en houd de knop **STATION** 5 tot 7 seconden ingedrukt totdat het indicatielampje aangaat.
- Breng de robot met het Shark-logo ondersteboven in lijn en schuif hem dan over de oprijplaat op het station. *Opladtijden kunnen verschillen

CONFIGURAZIONE

STAP 7 **DOWNLOAD DE APP**

SharkClean App Functies

- ✓ Huis nauwkeurig in kaart brengen
- ✓ Kamer selecteren
- ✓ Vlekken reinigen
- ✓ No-Go Zones
- ✓ Planning
- ✓ Grondige schoonmaak
- ✓ Herinneringen voor onderhoud



Zoek op 'SharkClean' in de appstore of scan de QR-code op de voorkant om de app te downloaden.

KUNT U NIET MET WIFI VERBINDEN?



- Start uw telefoon opnieuw op**
- Zet de telefoon uit, wacht een paar minuten, zet hem dan weer aan en maak verbinding met wifi.
- Start uw robot opnieuw op**
- Haal de robot van het station en houd de DOCK-knop op de robot 12 seconden ingedrukt. Zet uw robot weer aan door hem via de oprijplaat op het station te schuiven.
- Start uw router opnieuw op**
- Haal de stroomkabel van de router 30 seconden uit het stopcontact en sluit hem vervolgens weer aan. Geef uw router enkele minuten de tijd om volledig te herstarten.

Vragen? Simpele stappen als u vastzit:
 Problemen met de verbinding van uw robot? Ga voor uitlegvideo's, veelgestelde vragen, probleemoplossing en tips naar: sharkclean.eu.



Bezoek voor een volledig instructieboekje:
qr.sharkclean.com/RVDetectProEUseriesof
SCAN HIER MET DE CAMERA VAN UW SMARTPHONE

- Om de app te gebruiken, moet uw telefoon verbonden zijn met een 2.4 GHz-netwerk. De app werkt niet op een 5 GHz-netwerk.
- **GEBRUIK GEEN** VPN of proxy server.
- Zorg dat de wifi-isolatie uitgeschakeld is op de router.

VOORDAT U REINIGT

Om een plattegrond van uw huis te maken, moet uw robot een Explore Run uitvoeren.

De robot vereist $\geq 70\%$ accu om een ontdekkingsmissie te starten.

In de Explore Run dwaalt uw robot door uw huis terwijl hij een plattegrond maakt.

Na deze ronde kunt u No-Go-zones aangeven in de delen van uw huis die de robot moet vermijden tijdens het schoonmaken. Als u geen No-Go-zones wilt instellen, kunt u deze stap overslaan.

Nu bent u klaar om schoon te maken.



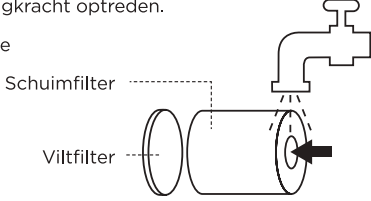
VOORMOTORFILTER

BELANGRIJK - Reinig het filter elke maand, anders kan er verlies van zuigkracht optreden.

Afspoelen en aan de lucht laten drogen. Tik tijdens het wassen het losse vuil zo nodig uit het filter. De filter moet gedurende 48 uur drogen alvorens hem terug te plaatsen.

Schuimfilters kunnen vies lijken na gebruik: dit is normaal.

 Steek uw handen **NIET** in openingen die niet beschreven zijn als gebruikerstoegang.



TWEE (2) JAAR BEPERKTE GARANTIE RV2800ZEUK/AV2800ZEUKWH

Als een klant een product in het Verenigd Koninkrijk koopt, kan deze aanspraak maken op wettelijke rechten t.a.v. de kwaliteit van het product (uw 'wettelijke rechten').

U kunt uw winkelier aan deze rechten houden. Echter, bij Shark® zijn we zo overtuigd van de kwaliteit van onze producten, dat wij de producteigenaar bij registratie een fabrieksgarantie van twee jaar geven. Deze voorwaarden hebben alleen betrekking op onze fabrieksgarantie - uw wettelijke rechten blijven hierbij gelden.

De onderstaande voorwaarden beschrijven de vereisten en omvang van onze garantie. Ze hebben geen invloed op uw wettelijke rechten of de verplichtingen van de verkoper van het product en uw overeenkomst met laatstgenoemde.

Shark®-garanties

Een huishoudelijk apparaat, zoals een robotstofzuiger, is een aanzienlijke investering. Uw nieuwe apparaat moet het zo lang mogelijk goed doen. De garantie bij het apparaat is een belangrijke indicator en laat zien hoeveel vertrouwen de fabrikant in zijn product heeft en in de kwaliteit hiervan.

Ieder apparaat van Shark® wordt geleverd met garantie die onderdelen en arbeidskosten dekt. De helpdesk van onze klantenservice (0800 862 0453) is bereikbaar van maandag t/m vrijdag tussen 09.00 en 18.00 uur. Het telefoonnummer is gratis en u wordt direct doorverbonden met een medewerker van Shark®. U kunt ook online ondersteuning vinden op www.sharkclean.eu.

Hoe registreer ik mijn uitgebreide Shark®-garantie?

U kunt uw garantie binnen 28 dagen na aankoop online registreren. Om tijd te besparen, hebt u de volgende informatie over uw apparaat nodig:

- Datum van aankoop van het apparaat (aankoop- of ontvangstbewijs).

Ga naar www.sharkclean.eu/register-guarantee om online te registreren. Producten die rechtstreeks bij Shark® zijn gekocht, worden automatisch geregistreerd.

Wat valt er onder de gratis garantie van Shark®?

Reparatie of vervanging van uw Shark®-apparaat (naar eigen goeddunken van Shark), inclusief alle onderdelen en arbeid. Een garantie van Shark® is een aanvulling op uw wettelijke rechten als klant.

Wat zijn de voordelen van het registreren van mijn gratis Shark®-garantie?

Als u uw garantie registreert, hebben wij uw gegevens bij de hand, in het geval wij contact met u op moeten nemen. U kunt ook tips en adviezen ontvangen over hoe u het meest optimale resultaat kunt halen uit uw robotstofzuiger van Shark® en op de hoogte worden gehouden van de laatste technologieën en introducties van Shark®.

Als u uw garantie online registreert, krijgt u onmiddellijk een bevestiging dat wij uw gegevens hebben ontvangen.

Hoelang krijg ik garantie op een nieuw apparaat van Shark®?

Ons vertrouwen in ons ontwerp en onze kwaliteitscontrole betekent dat uw nieuwe Shark®-robotstofzuiger na registratie twee jaar garantie heeft.

Waar kan ik originele onderdelen en hulpstukken van Shark® kopen?

Onderdelen en accessoires van Shark® zijn ontworpen door dezelfde engineers die uw Shark®-robotstofzuiger hebben gemaakt. U vindt een uitgebreid assortiment Shark®-onderdelen, -reserveonderdelen en -accessoires voor alle apparaten van Shark® op www.sharkclean.eu

Houd er rekening mee dat schade die is veroorzaakt door het gebruik van niet-originele Shark®-reserveonderdelen niet onder de garantie valt.

Wat valt er niet onder de gratis garantie van Shark®?

1. Normale slijtage van onderdelen die regelmatig onderhoud en/of vervanging vereisen om de goede werking van uw apparaat te garanderen vallen niet onder deze garantie. Vervangingsonderdelen zijn te koop op sharkclean.eu
2. Elk apparaat waarmee is geknoeid of dat is gebruikt voor commerciële doeleinden.
3. Onbedoelde schade, fouten veroorzaakt door nalatig gebruik en onderhoud, verkeerd gebruik, nalatigheid, onachtzame bediening of gebruik van de robotstofzuiger dat niet overeenkomt met wat er in het instructieboekje van Shark® staat. Dit boekje wordt met het apparaat meegeleverd.

4. Het gebruik van onderdelen die niet gemonteerd of geïnstalleerd zijn overeenkomstig de bedieningsinstructies.
5. Verkeerde installatie (behalve als het door Shark® is geïnstalleerd).
6. Reparaties of wijzigingen uitgevoerd door derden niet zijnde Shark of vertegenwoordigers van Shark.

ZORGVULDIG DOORLEZEN EN BEWAREN VOOR TOEKOMSTIG GEBRUIK.

Deze instructies zijn bedoeld om u te helpen uw Shark Robot topprestaties te laten leveren.

SharkNinja Europe Ltd,
1st/2nd Floor Building 3150,
Thorpe Park,
Century Way,
Leeds, Engeland,
LS15 8ZB

SharkNinja Germany GmbH,
Rotfeder-Ring 9,
60327 Frankfurt am Main, Duitsland
www.sharkclean.eu

De afbeeldingen kunnen afwijken van het werkelijke product. Wij streven er constant naar om onze producten te verbeteren; daarom zijn de specificaties in dit document onderhevig aan wijzigingen zonder voorafgaande kennisgeving.

VIKTIGE SIKKERHETSINSTRUKSJONER

LES NØYE FØR BRUK • KUN TIL HJEMMEBRUK

⚠ ADVARSEL

For å redusere fare for brann, elektrisk støt, personskade eller skade på eiendom:

BARN ELLER DYR SKAL IKKE VÆRE UTEN TILSYN I NOEN ROM
SOM ROBOTSTØVSUGEREN HAR TILGANG TIL UNDER RENGJØRING.

LASER-ADVARSEL

DETTE PRODUKTET HAR EN LASER KLASSE 1. SLÅ ALLTID AV STRØMMEN FØR DU LØFTER ROBOTSTØVSUGEREN
ELLER UTFØRER NOEN FORM FOR VEDLIKEHOLD PÅ DEN. IKKE SE DIREKTE INN I LASEREN.

TA KONTAKT MED EN KVALIFISERT ELEKTRIKER HVIS LADEKABELSTØPSELET IKKE PASSER HELT I
STIKKONTAKTEN. IKKE BRUK MAKT ELLER PRØV Å MODIFISERE DEN FOR Å PASSE DEN INN I STIKKONTAKTEN.

GENERELLE ADVARSLER


Ved bruk av elektriske apparater bør grunnleggende sikkerhetsregler alltid følges, inkludert følgende:

1. Dette apparatet består av en robotgulvrensersstøvsuger og ladestasjon med støpsel. Disse komponentene inneholder elektriske koblinger, elektriske ledninger og bevegelige deler som kan utgjøre en risiko for brukeren.
2. Kontroller alle deler nøye for eventuelle skader før hver bruk. Hvis en del er skadet, skal den ikke brukes.
3. Bruk kun identiske reservedeler.
4. Denne robotgulvrenserseren inneholder ingen deler som kan repareres.
5. Bruk kun som beskrevet i denne håndboken. IKKE bruk robotgulvrenserseren til noe annet formål enn de som er beskrevet i denne håndboken.
6. Med unntak av enkelte filtre og støvbeholderen må du IKKE utsette noen deler av robotstøvsugeren for vann eller andre væsker.
7. **IKKE putt hendene inn i noen av åpningene i ladestasjonen eller roboten.**

Advarsler FOR BRUK

8. Dette produktet har en laser klasse 1. Slå alltid av strømmen før du løfter robotstøvsugeren eller utfører noen form for vedlikehold på den.
9. **IKKE** se direkte inn i laseren.
10. Slå alltid av robotstøvsugeren før du legger til eller fjerner filteret eller støvbeholderen.
11. **IKKE** håndter plugg, ladestasjon, ladekabel eller robotgulvrenserseren med våte hender. Rengjøring og vedlikehold skal ikke utføres av barn uten tilsyn
12. Barn skal **IKKE** leke med apparatet.
13. Denne enheten kan brukes av barn som er 8 år eller eldre og personer med reduserte fysiske, sensoriske eller mentale evner eller mangel på erfaring og kunnskap, hvis de har tilsyn eller gis veiledning om bruken av enheten på en sikker måte og forstår farene som er involvert.
14. **IKKE** bruk roboten uten støvbeholderen og filter på plass.

15. **IKKE** skad ladekabelen:
 - a) **IKKE** trekk eller bær ladestasjonen etter ledningen eller bruk ledningen som håndtak.
 - b) **IKKE** trekk ut støpselet ved å trekke i ledningen. Grip støpselet, ikke ledningen.
 - c) **IKKE** lukk en dør over ledningen, trekk ledningen rundt skarpe hjørner eller etterlat ledningen i nærheten av oppvarmede overflater.
 - d) Strømledningen kan ikke erstattes. Hvis det er skade på ledningen, bør apparatet kastes.
16. **IKKE** stikk gjenstander inn i munnstykke eller tilbehørsåpninger. **IKKE** bruk med noen av åpningene blokkert – hold åpningene frie for støv, lo, hår og annet som kan hindre luftstrømmen.
17. **IKKE** bruk robotgulvrenserseren mens luftbanen er blokkert eller hindret. Hvis luftbaner blokkeres, må du slå av støvsugeren og fjerne alle hindringer før enheten skrus på igjen.
18. Hold munnstykket og alle støvsugeråpninger borte fra hår, ansikt, fingre, utildekte føtter eller løse klær.
19. **IKKE** bruk robotgulvrenserseren hvis den ikke fungerer som den skal eller har blitt mistet i gulvet, skadet, satt igjen utendørs eller blitt mistet i vann.
20. **IKKE** plasser robotstøvsugeren på ustabile flater.
21. **IKKE** bruk til å plukke opp:
 - a) Væsker.
 - b) Store gjenstander.
 - c) Harde eller skarpe gjenstander (glass, spiker, skruer eller mynter).
 - d) Store mengder støv (fra gipsvegger, aske fra ovn eller glør.)
 - e) **IKKE** bruk som et tilbehør til verktøy for støvsamling.
 - f) Røykende eller brennende gjenstander (varmt kull, sigarettneiper eller fyrstikker).
 - g) Brennbare eller eksplosive materialer (lightervæske, bensin eller parafin).
 - h) Giftige materialer (klorblekemiddel, ammoniakk eller avløpsrensemiddel).
 - i) Giftige materialer (høye konsentrasjoner av klorrensemiddel, høye konsentrasjoner av ammoniakk eller avløpsrenseoppløsninger).

- 22. IKKE** bruk i følgende områder:
- Våte eller fuktige overflater
 - Utendørsområder nær peiser med åpne tilganger
 - Områder som er innelukket og kan inneholde eksplosive eller giftige gasser eller damp (lighterbensin, bensin, parafin, maling, malingstynner, møllbeskyttende stoffer eller brennbart støv)
 - I et område med en romoppvarmer
 - Nær peiser med åpne tilganger.
- 23.** Slå av robotgulvrensere før justering, rengjøring, vedlikehold eller feilsøking. Merk: I stillingen AV (O) bruker roboten fortsatt en liten mengde strøm.
- 24.** La alle filtre lufttørke helt før du setter dem tilbake for å hindre at væske trekkes inn i de elektriske delene.
- 25. IKKE** endre eller forsøk å reparere robotstøvsugeren eller batteriet selv, bortsett fra som indikert i denne brukerhåndboken. **IKKE bruk** robotstøvsugeren dersom den har blitt modifisert eller skadet.
- 26.**  Hold fingrene unna hjul og fjæringssystem mens roboten er slått på til enhver tid.
- 27. IKKE** bruk husholdningsrengjøringsmidler (for alle typer rengjøring, glassrengjøringsmidler, blekemiddel) på noen av de polerte, høyglansede overflatene på ladestasjonen eller robotstøvsugeren da de inneholder kjemikalier som kan skade disse overflatene. Bruk heller en klut fuktet med vann for å rengjøre forsiktig.
- 28.** For å minimere risikoen for at roboten beveger seg utenfor en usikker grense (trapper eller avsatskanter, peiser, vannfarer), etablerer du helt enkelt disse områdene som forbudte soner ved å bruke kartleggingsfunksjonen i mobil-appen SharkClean. Når du har angitt grensene, kjører du støvsugeren for å visuelt bekrefte at innstillingene effektivt hindrer roboten i å passere utover den angitte grensen. Juster innstillinger etter behov. De som ikke bruker appen kan bruke en fysisk grense for å blokkere en utrygg grense.

BATTERIBRUK

- 29.** Batteriet er strømkilden til støvsugeren. Les nøye gjennom og følg alle ladeinstruksjoner.
- 30.** For å forhindre utilsiktet start, sikre at støvsugeren er slått av før du plukker den opp eller bærer den.
- 31.** Bruk kun ladestasjonen og batteriet fra SHARK beskrevet i tabellen nedenfor og bruk kun batteri RVBAT85002 (33V) RVBAT850 (MH1) eller RVBAT850 (26V). Bruk av andre batterier eller batteriladere enn angitt kan medføre brannfare.
- 32.** Hold batteriet vekk fra metallgjenstander som binders, mynter, nøkler, spikre eller skruer. Å kortslutte batteriterminalene sammen øker risikoen for brann eller brannskader.
- 33.** Ved feil bruk kan væsker lekke ut fra batteriet. Unngå kontakt med denne væsken, da den kan føre til irritasjon eller brannskader. Skyll av med vann hvis det allikevel skulle oppstå kontakt. Oppsøk medisinsk hjelp dersom væsken kommer i kontakt med øynene.
- 34.** Robotstøvsugeren skal ikke lagres, lades eller brukes ved temperaturer under 10 °C eller over 40 °C. Forsikre deg om at batteriet og støvsugeren har nådd romtemperatur før lading eller bruk. Hvis du utsetter roboten eller batteriet for forhold utenfor dette temperaturomfanget, kan det skade batteriet og øke risikoen for brann.
- 35. IKKE** eksponer robotgulvrensere eller batteriet for flammer eller temperaturer over 130 °C, da dette kan forårsake eksplosjon.

Enhet	Batteri
SKU	RVBAT85002 (33V) RVBAT850 (MH1), or RVBAT850 (26V).

Enhet	Ladestasjon
SKU	XDRV2800WDEU XD0CK2800WDEU

TA VARE PÅ DISSE INSTRUKSJONENE

For de siste oppdaterte advarsler og forholdsregler, gå til www.sharkclean.eu/robohelp

Certifique-se de que lê o Guia do Utilizador Shark® online antes de utilizar o robô.

Shark **POWERDETECT** **GUIA DE INÍCIO RÁPIDO**

TRANSFIRA A APLICAÇÃO SHARKCLEAN



Efetue a leitura do código QR com a câmara do seu telemóvel para encontrar rapidamente a aplicação e transferi-la

CONTRATO DE LICENÇA DE UTILIZADOR FINAL DO SOFTWARE SHARKNINJA

SharkClean.eu/EULA

sharkclean.eu

APROVEITAR AO MÁXIMO O ROBÔ

Para obter a melhor experiência, transfira a aplicação SharkClean e siga as sugestões abaixo.

PREPARAR A SUA CASA



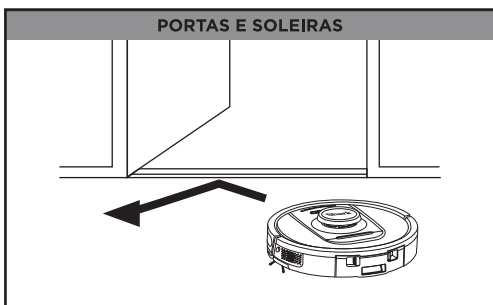
O seu robô Power Detect evitará fios, mas, para uma melhor cobertura e limpeza, retire do chão fios e objetos com menos de 11,5 cm de altura. Para assegurar um mapa completo da sua casa, abra as portas interiores.

CALENDARIZAÇÃO E MAPA INTERATIVO



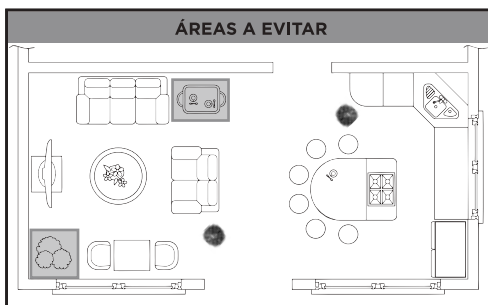
- Para um estado de limpeza constante, marque um horário para a limpeza de toda a casa na aplicação.
- Utilize o mapa interativo da casa para uma limpeza ainda mais personalizada.

PORTAS E SOLEIRAS



O seu robô consegue passar facilmente por cima da maioria das soleiras, mas se uma delas tiver uma altura superior a 2,5 cm, defina uma zona interdita na aplicação para o bloquear.

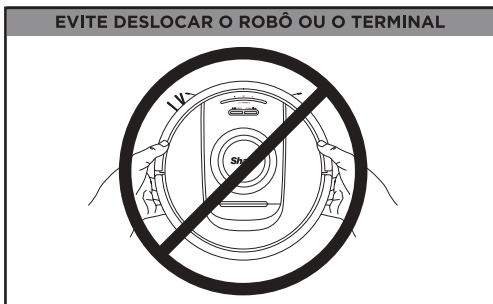
ÁREAS A EVITAR



Crie áreas a evitar na aplicação, para manter o robô afastado das áreas que pretende que este evite:

- Perto de cabos de alimentação ou carregadores de telefones.
- Diante de soleiras altas.

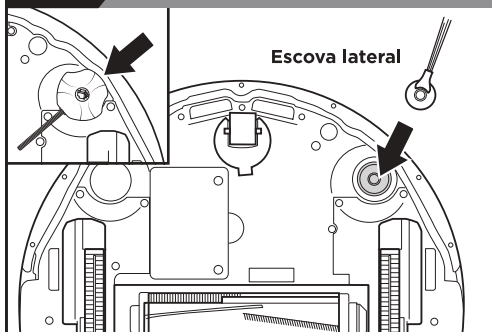
EVITE DESLOCAR O ROBÔ OU O TERMINAL



Enquanto o seu robô estiver a limpar, não pegue nele nem o desloque, nem desloque a base de esvaziamento automático - isso irá afetar a capacidade do robô de mapear a sua casa.

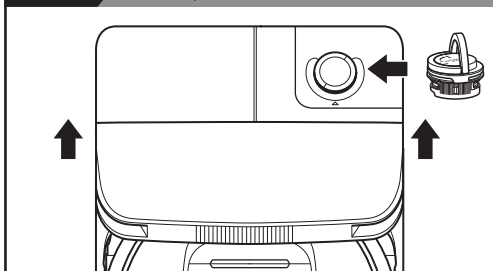
CONFIGURAÇÃO

PASSO 1 PREPARAR O ROBÔ



- Retire a película protetora do robô e do terminal.
- Coloque a escova lateral.
- O design da escova lateral pode variar. Alguns modelos incluem uma sobresselente

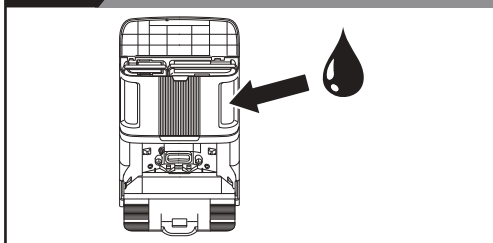
PASSO 3 INSTALAÇÃO DO NEUTRALIZADOR DE ODORES



1. Introduzir o conjunto do cartucho na parte superior da base.
2. Rode o cartucho até encaixar no lugar.

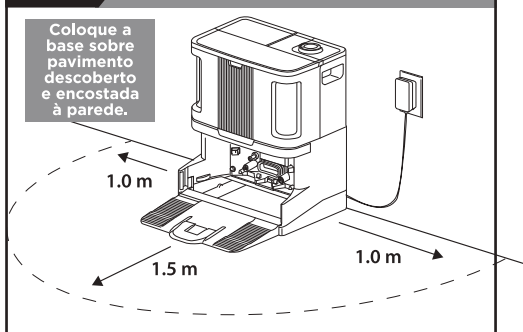
Nota: Certifique-se de que o conjunto do cartucho de odores está instalado na base antes de utilizar o robot

PASSO 5 ENCHA O DEPÓSITO DE ÁGUA LIMPA



- Alinhe o robô com o logótipo Shark invertido e faça-o deslizar pela rampa até à base.
- Levante a tampa na metade superior frontal da base. Retire o depósito de água limpa do lado direito.
- Encha o depósito com água à temperatura ambiente até à linha de enchimento MAX e volte a instalar o depósito.

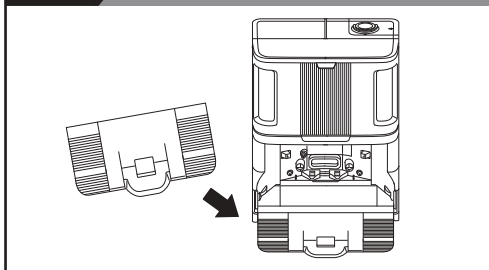
PASSO 2 CONFIGURAR A BASE DE ESVAZIAMENTO AUTOMÁTICO



- Encontre uma **localização permanente** para a base, numa área central com um **signal de Wi-Fi forte**.
- Retire quaisquer objetos que estejam a menos de 1 m de distância de cada lado da base ou a menos de 1,5 m da parte da frente.
- Ligue a base à corrente.

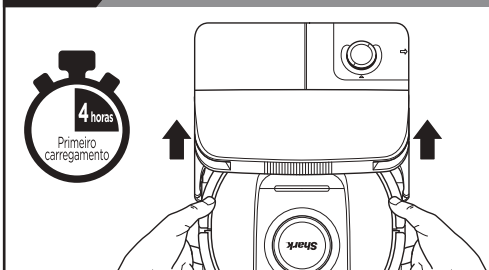
*Certifique-se de que a base não está colocada numa área com luz solar direta.

PASSO 4 INSTALAR A RAMPA NA BASE



- Alinhar a extremidade plana da rampa com a base e inserir a rampa na base.
- Levante a rampa um pouco acima da base, alinhe, e pressione até a mesma encaixar no local com um clique.

PASSO 6 CARREGAR O SEU ROBÔ



- Coloque o robô na base para carregar durante **4 horas**.
- Certifique-se de que o robô está devidamente alinhado com a **base**.
- **PARA LIGAR O ROBÔ:** Coloque o robô na base ou prima o botão **TERMINAL** durante 5 a 7 segundos até que as luzes indicadoras acendam. *Os tempos de carregamento podem variar

CONFIGURAÇÃO

PASSO 7 TRANSFERIR A APLICAÇÃO

Funcionalidades da aplicação SharkClean

- ✓ Mapeamento doméstico de precisão
- ✓ Seleção da divisão
- ✓ Limpeza localizada
- ✓ Áreas interditas
- ✓ Calendarização
- ✓ Limpeza profunda
- ✓ Lembretes de manutenção



Pesquise “SharkClean” na loja de aplicações ou efetue a leitura do código QR na cobertura frontal para transferir a aplicação.

NÃO CONSEGUE ESTABELEÇER A LIGAÇÃO AO WI-FI?



Reinicie o seu telemóvel

- Desligue o telefone, aguarde alguns minutos e depois volte a ligá-lo e estabeleça a ligação ao Wi-Fi.

Reinicie o robô

- Retire o robô do terminal e prima o botão DOCK no robô durante 12 segundos. Volte a ligar o robô fazendo-o deslizar pela rampa até ao terminal.

Reinicie o seu router

- Desligue o cabo de alimentação do router durante 30 segundos e depois volte a ligá-lo. Aguarde vários minutos para que o router se reinicie completamente.

Dúvidas? Passos a dar caso tenha algum problema:

Está a ter problemas em estabelecer a ligação ao robô? Para consultar vídeos exemplificativos sobre “como fazer”, perguntas frequentes, resolução de problemas e dicas e truques, visite: sharkclean.eu.



Para obter o folheto de instruções completo, visite:

qr.sharkclean.com/RVDetectProEUseries ou **LEIA AQUI USANDO A CÂMARA DO SEU SMARTPHONE**

- Para utilizar a aplicação, o telefone tem de estar ligado a uma rede de 2,4 GHz. A aplicação não funcionará numa rede de 5 GHz.
- **NÃO** utilize uma VPN nem um servidor proxy.
- Certifique-se de que o isolamento da rede Wi-Fi está desativado no router.

ANTES DE LIMPAR

O robô precisa de concluir a Sessão de exploração para criar um mapa da sua casa.

O robô requer pelo menos 70% de carga da bateria para iniciar uma missão de exploração.

Na Sessão de exploração, o robô irá deambular pela sua casa e criar um mapa.

Depois desta sessão, pode criar Áreas interditas nas zonas da sua casa que quer que o robô evite quando está a limpar. Se não quiser definir Áreas interditas, pode ignorar este passo.

Agora já pode começar a limpar.

MAPA INTERATIVO COM ÁREAS INTERDITAS



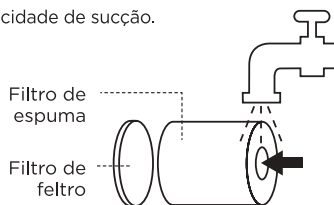
LIMPAR O FILTRO DO ROBÔ

IMPORTANTE - Limpe o filtro todos os meses ou se ocorrer uma perda da capacidade de sucção.

Lave e deixe secar completamente ao ar. Além disso, remova a sujidade solta que possa existir nos filtros com algumas batidas entre lavagens se necessário. O filtro tem de secar durante 48 horas antes de voltar a ser colocado.

Os filtros de espuma podem parecer sujos depois de utilizados – isso é normal.

NÃO coloque as mãos em qualquer abertura que não esteja definida para acesso do utilizador



GARANTIA LIMITADA DE DOIS (2) ANOS PARA O RV2800YEEU

Quando um consumidor compra um produto na União Europeia, obtém o benefício dos direitos legais relacionados com a qualidade do produto (os seus direitos legais). Pode exigir o cumprimento destes direitos pelo seu revendedor. No entanto, na Shark®, temos tanta confiança na qualidade dos nossos produtos que disponibilizamos uma garantia adicional do fabricante de até dois anos. Estes termos e condições referem-se apenas à nossa garantia de fabricante – os seus direitos legais permanecem inalterados.

As condições abaixo descrevem os pré-requisitos e a abrangência da nossa garantia. Não afetam os seus direitos legais, nem as obrigações do seu revendedor, nem o seu contrato com o mesmo.

A Shark® garante

O seu purificador de ar Shark é um investimento relativamente importante. O seu novo Shark tem de trabalhar corretamente, o máximo de tempo possível. A garantia que o acompanha é um aspeto importante a considerar – e reflete a confiança que o fabricante tem no seu produto e na qualidade de fabrico.

Pode encontrar apoio online em sharkclean.eu

Como posso registar a minha garantia Shark?

Pode registar a garantia online até 28 dias após a compra. Para poupar tempo, irá precisar das seguintes informações sobre o seu Shark:

- Data da compra do Shark (recibo ou nota de entrega).

Para efetuar o registo online, visite sharkclean.eu

IMPORTANTE

- A garantia cobre o seu Produto durante 2 anos a partir da data de compra.
- Guarde sempre o seu recibo. Caso tenha de utilizar a sua garantia alargada, vamos precisar do recibo para verificar se as informações que nos disponibilizou estão corretas. A não apresentação de um recibo válido pode invalidar a sua garantia.

Quais são os benefícios de registar a minha garantia Shark gratuita?

Quando registar a sua garantia, teremos os seus dados disponíveis se necessitarmos de entrar em contacto consigo.

Também pode receber dicas e conselhos sobre como aproveitar ao máximo o seu ventilador de ar Shark e conhecer as últimas novidades sobre lançamentos e novas tecnologias da Shark®. Se registar a sua garantia online, receberá uma confirmação instantânea de que recebemos os seus dados.

Qual é a duração da garantia dos aparelhos Shark novos?

A nossa confiança no nosso design e controlo de qualidade significa que o seu novo ventilador de ar de cabelo Shark está garantido por um total de dois anos.

O que está abrangido pela garantia Shark gratuita?

Reparação ou substituição do seu aparelho Shark® (a critério da Shark), incluindo todas as peças e mão-de-obra. Uma garantia Shark é um complemento aos seus direitos legais enquanto consumidor.

O que não está abrangido pela garantia Shark gratuita?

1. O desgaste normal das peças suscetíveis de desgaste (tais como acessórios), não é coberto por esta garantia. As peças de substituição estão disponíveis para comprar em sharkclean.eu
2. Danos causados por má utilização, abuso, manuseamento negligente, não realização da manutenção necessária ou danos devidos a mau manuseamento em trânsito.
3. Danos causados por manutenção não autorizada pela Shark.

Onde posso comprar peças sobresselentes e acessórios genuínos Shark?

As peças sobresselentes e acessórios Shark são concebidos pelos mesmos engenheiros que conceberam o seu ventilador de cabelo Shark. Encontrará uma ampla gama de peças sobresselentes, peças de reposição e acessórios para todas as máquinas Shark em sharkclean.eu

Lembre-se de que os danos causados pela utilização de peças sobresselentes que não sejam da marca Shark podem não estar cobertos pela sua garantia.

LEIA COM ATENÇÃO E GARDE PARA CONSULTAS FUTURAS

Estas instruções foram concebidas para o ajudar a manter o seu Shark Robot a funcionar com desempenho máximo.

SharkNinja Europe Ltd,

1st/2nd Floor Building 3150,
Thorpe Park,
Century Way,
Leeds, Inglaterra,
LS15 8ZB

SharkNinja Germany GmbH,

Rotfeder-Ring 9,
60327 Frankfurt am Main, Alemanha
sharkclean.eu

As ilustrações podem diferir do produto real. Melhoramos continuamente os nossos produtos. Assim, as especificações aqui contidas estão sujeitas a alterações sem aviso prévio

VIKTIGA SÄKERHETSINSTRUKTIONER

LÄS NOGGRANT FÖRE ANVÄNDNING • ENBART FÖR HUSHÅLLSBRUK

⚠ VARNING

minska risken för eldsvåda, elektrisk stöt, personskada eller skada på egendom:

BARN ELLER DJUR FÅR INTE LÄMNAS UTAN UPSIKT I NÅGRA RUM SOM ROBOTDAMMSUGAREN HAR ÅTKOMST TILL NÄR DEN ARBETAR.

LASERVARNING

DENNA PRODUKT HAR EN KLAS 1-LASER. STÄNG ALLTID AV STRÖMMEN INNAN DU LYFTER ROBOTDAMMSUGAREN ELLER UTFÖR NÅGOT UNDERHÅLL PÅ DEN. TITTA INTE RAKT IN I LASERN.

OM LADDNINGSKABELNS KONTAKT INTE PASSAR HELT I UTTAGET KONTAKTAR DU EN BEHÖRIG ELEKTRIKER. TVINGA INTE IN DEN I UTTAGET OCH FÖRSÖK INTE ATT MODIFIERA DEN.

ALLMÄNNA VARNINGAR


Vid användning av elektriska apparater bör grundläggande säkerhetsåtgärder alltid följas, inklusive följande:

1. Denna apparat består av en robotdammsugare och laddstation med strömförsörjning. Dessa delar innehåller elektriska kopplingar, elektriska ledningar och rörliga delar som kan utsätta användaren för risker.
2. Kontrollera alla delar före varje användning med avseende på skador. Avbryt användningen om en del är skadad.
3. Använd endast originaldelar för byte.
4. Denna robotdammsugare innehåller inga reparerbara delar.
5. Använd endast som beskrivs i bruksanvisningen. Använd INTE robotdammsugaren för något annat ändamål än de som beskrivs i denna handbok.
6. Med undantag för vissa filter och dammbehållaren får du INTE utsätta någon del av robotdammsugaren för vatten eller andra vätskor.
7. **Sätt INTE in händerna i några öppningar på dockningsenheten eller robotdammsugaren.**

ANVÄNDARVARNINGAR

8. Denna produkt har en klass 1-laser. Stäng alltid av strömmen innan du lyfter robotdammsugaren eller utför något underhåll på den.
9. Titta **INTE** rakt in i lasern.
10. Stäng alltid av robotdammsugaren innan filtret i dammbehållaren sätts i eller tas ur.
11. Hantera **INTE** kontakten, laddstationen, laddningskabeln eller robotdammsugaren med våta händer. Rengöring och användarunderhåll får inte utföras av barn utan tillsyn.
12. Barn får **INTE** leka med utrustningen.
13. Apparaten kan användas av barn över 8 år och personer med nedsatt fysisk, sensorisk eller mental förmåga eller person som saknar erfarenhet och kunskap, om de har fått instruktioner om säker användning av maskinen och förstår de risker det innebär.
14. Använd **INTE** robotdammsugaren utan att dammbehållare, filter och vätskebehållare sitter på plats.

15. Skada **INTE** laddningskabeln:
 - a) Dra **INTE** i sladden och bär **INTE** med sladden som handtag.
 - b) Dra **INTE** ur kontakten genom att hålla i sladden. Håll i kontakten, inte sladden.
 - c) Stäng **INTE** en dörr med sladden i kläm, dra inte sladden runt skarpa hörn och placera inte sladden i närheten av upphettade ytor.
 - d) Den medföljande sladden kan inte bytas ut. Om sladden är skadad måste apparaten kasseras.
16. Placera **INGA** föremål i munstycket eller i tillbehören. Använd **INTE** dammsugaren med tilltäppta öppningar. Ta bort damm, ludd, hår eller annat som kan reducera luftflödet.
17. Använd **INTE** robotdammsugaren om luftflödet är begränsat. Om luftcirkulationen hindras, stäng av dammsugaren och flytta på alla hinder innan du startar enheten igen.
18. **HÅLL** inte munstycke och sugöppningar nära hår, ansikte, fingrar, fötter eller lösa kläder.
19. Använd **INTE** robotdammsugaren om den inte fungerar som den ska eller om den har tappats, skadats, lämnats utomhus eller hamnat i vatten.
20. Placera **INTE** dammsugaren på ostadiga ytor.
21. Använd **INTE** till att plocka upp:
 - a) Vätskor.
 - b) Stora föremål.
 - c) Hårda eller vassa föremål (glas, spikar, skruvar eller mynt).
 - d) Stora mängder damm (gipsdamm, aska från öppen spis eller kol.)
 - e) **ANVÄND** **INTE** tillsammans elektriska verktyg för damminsamling.
 - f) Rykande eller brinnande föremål (varma kol, cigarettfimpar eller tändstickor).
 - g) Brandfarligt eller brännbart material (tändvätska, bensin eller fotogen).
 - h) Giftiga material (klorblekmedel, ammoniak eller avloppsrensningemedel).
 - i) Giftiga material (höga koncentrationer av klorblekmedel, ammoniak eller avloppsrensningemedel).

22. Använd **INTE** på följande områden:
- Våta eller fuktiga ytor
 - Utomhus nära eldstäder med öppen ingång
 - Slutna utrymmen som kan innehålla explosiv eller giftig rök eller ånga (tändvätska, bensin, fotogen, färg, färgförtunning, malmedel eller brandfarligt damm
 - I ett utrymme med värmefläkt
 - Nära eldstäder med öppen ingång.
23. Stäng av robotdammsugaren före justeringar, rengöring, underhåll eller felsökning. Obs: I positionen OFF (O) använder robotdammsugaren fortfarande en liten mängd ström.
24. Låt alla filter lufttorka helt innan de sätts tillbaka så att vatten inte sugs in i elektriska komponenter.
25. Försök **INTE** att själv modifiera eller reparera robotdammsugaren eller batteriet, utöver vad som anges i denna handbok. Använd **INTE** dammsugaren om den har modifierats eller skadats.
26.  Håll alltid fingrarna borta från hjulen och styrsystemet när robotdammsugaren är påslagen.
27. Använd **INTE** hushållsrengöringsmedel (universalrengöring, glasrengöringsmedel, blekmedel) på någon av de polerade glänsande ytorna på dockningsstationen eller robotdammsugaren eftersom de innehåller kemikalier som kan skada dessa ytor. Använd istället en trasa lätt fuktad med vatten för en skonsam rengöring.
28. För att minimera risken för att robotdammsugaren åker utanför en säkerhetsgräns (trappor/avsatser, eldstäder, vattenfaror), ställ in dessa platser som no-go-zoner med hjälp av mapping-funktionen i SharkClean-mobilappen. Kör dammsugaren så att du visuellt kan bekräfta att inställningarna ser till att roboten inte passerar den inställda gränsen när du ställer in den. Justera inställningar efter behov. För användare som inte utnyttjar appen, använd en gräns för att blockera en osäker gräns.

BATTERIANVÄNDNING

29. Batteriet är dammsugarens strömkälla. Läs noggrant och följ alla laddningsinstruktioner.
30. Se till att dammsugaren är avstängd innan du plockar upp eller bär den, för att undvika att den startas oavsiktligt.
31. Använd bara SHARK laddningsdocka och batteri som beskrivs i tabellen nedan och använd bara batteri RVBAT85002 (33V) RVBAT850 (MH1) eller RVBAT850 (26V). Användning av andra batterier eller laddare än de angivna kan skapa en brandrisk.
32. Håll batteriet åtskilt från metallföremål, t.ex. gem, mynt, nycklar, spikar eller skruvar. Om batteriterminalerna kortsluts ökar risken för brand eller brännskador.
33. Om batteriet missbrukas kan vätska läcka ut. Undvik kontakt med denna vätska då den kan orsaka irritation eller brännskador. Om kontakt uppstår, skölj med vatten. Om vätskan kommer i kontakt med ögonen, sök läkarhjälp.
34. Robotdammsugaren bör inte förvaras, laddas eller användas vid temperaturer under 10 °C eller över 40 °C. Försäkra dig om att batteriet och dammsugaren har anpassat sig till rumstemperaturen före laddning och användning. Om roboten eller batteriet utsätts för temperaturer utanför det angivna temperaturområdet kan det skada batteriet och öka brandrisken.
35. Utsätt **INTE** robotdammsugaren eller batteriet för eld eller temperaturer över 130 °C, eftersom detta kan orsaka en explosion.

Enhet	Batteri
SKU	RVBAT85002 (33V) RVBAT850 (MH1), or RVBAT850 (26V).

Enhet	Laddningsstation
SKU	XDRV2800WDEU XD0CK2800WDEU

SPARA DESSA INSTRUKTIONER

För de senaste varningarna och försiktighetsmeddelandena, gå till www.sharkclean.eu/robohelp



**SharkNinja Europe Ltd,
1st/2nd Floor Building 3150,
Thorpe Park,
Century Way, Leeds, England,
LS15 8ZB
www.sharkclean.eu**

**SharkNinja Germany GmbH,
Rotfeder-Ring 9,
60327 Frankfurt am Main,
Tyskland
www.sharkclean.eu**

Illustrationerne kan afvige fra det faktiske produkt. Vi bestræber os hele tiden på at forbedre vores produkter, og derfor kan specifikationerne i denne vejledning blive ændret uden varsel.

© 2024 SharkNinja Operating LLC. SHARK er et registreret varemærke i EU tilhørende SharkNinja Operating LLC.

Apple App Store er et varemærke tilhørende Apple Inc.
Google, Android og Google Play er varemærker tilhørende Google LLC.



© 2024 SharkNinja Operating LLC. Trykt i Kina.

RV2800ZEEU_QSG_E_F_MP_Mv4_240522